

C
2

Light Cranes



NIKO ... Quality in Motion



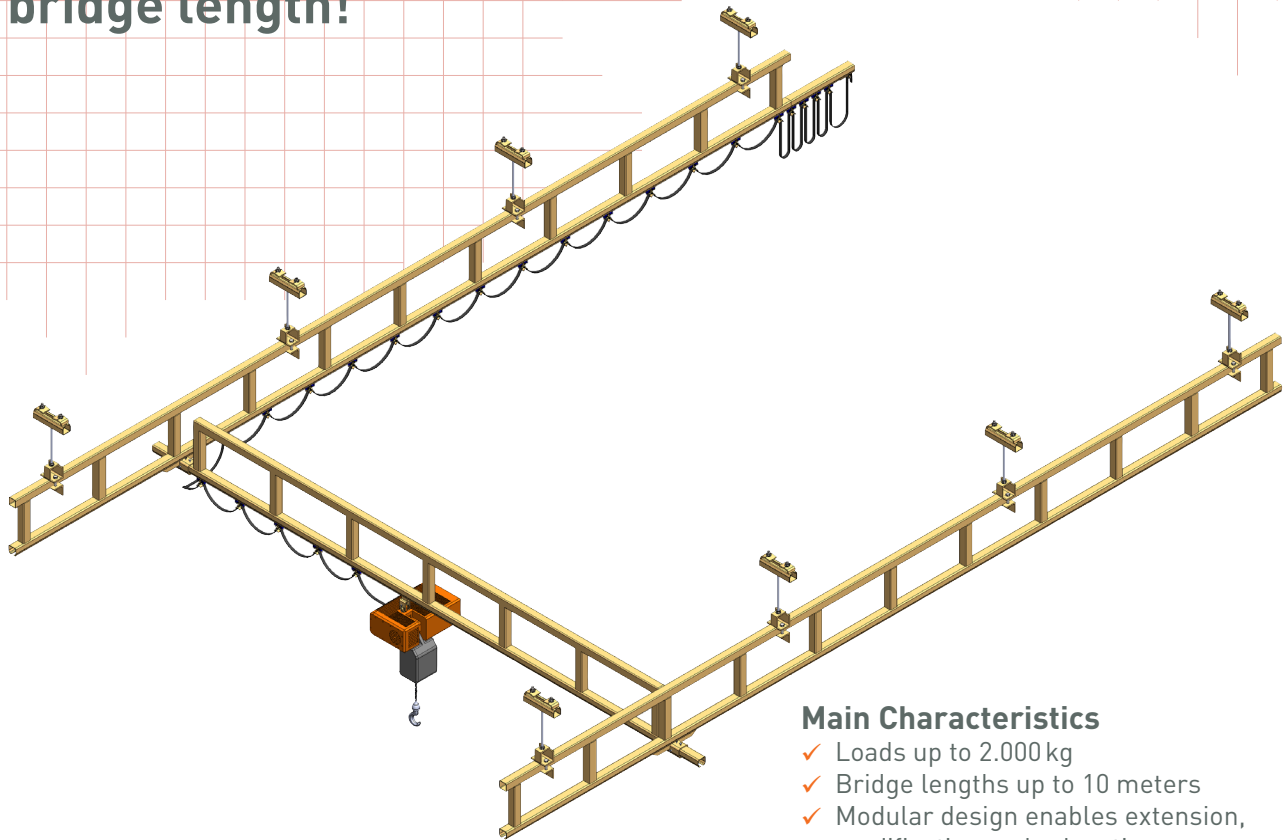
smak
Industrial Handling
Solutions

SmakHandling.com

1.844.841.2288

www.niko.eu.com
www.niko.world

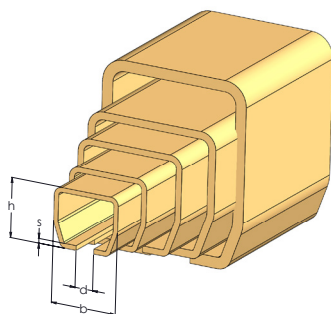
NIKO Light Cranes – A versatile and economic solution for loads up to 2.000 kg and 10 meter bridge length!



NIKO Light Crane System provides an ergonomic and cost effective solution to conventional overhead crane systems, particularly when there is a height and space restriction. Versatile and reliable overhead handling can be achieved for a variety of applications using the NIKO modular design. The robust design of our components and the high standards of manufacturing guarantees long life with little or no maintenance requirements. Our product range consists of sliding door fittings, overhead conveyor systems, festoon systems, fall arrest systems and light cranes.

Main Characteristics

- ✓ Loads up to 2.000 kg
- ✓ Bridge lengths up to 10 meters
- ✓ Modular design enables extension, modification and relocation
- ✓ Cost effective
- ✓ Easy to install using a variety of supporting brackets.
- ✓ Large range of mounting options
- ✓ Latching capability enables interconnection with existing or new conveyor or monorail systems
- ✓ Telescopic cantilever crane bridges and monorails
- ✓ Manual or electric travel
- ✓ Floor or ceiling mounted cranes.
- ✓ Gold/silver zinc or powder coated finish
- ✓ Cranes available in stainless steel



NIKO Profil No.	Dimensions			
	h (mm)	b (mm)	d (mm)	s (mm)
23.000 *	35,00	40,00	11,00	2,75
24.000 *	43,50	48,50	15,00	3,20
25.000 *	60,00	65,00	18,00	3,60
26.000	75,00	80,00	22,00	4,50
27.000	110,00	90,00	25,00	6,50

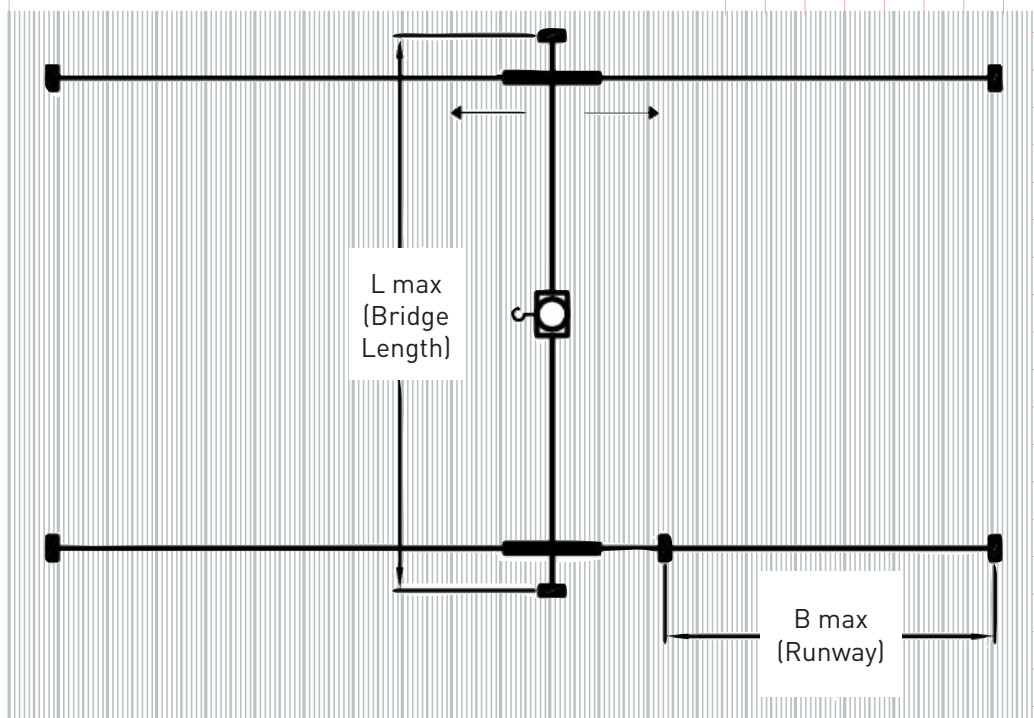
NIKO Track Profiles

Our wide range of 5 track profile sizes can accommodate loads up to 2000 kg. The NIKO enclosed track tapered design ensures correct alignment of the trolleys and reduces the possibility of dust build up. This facilitates free and smooth running of the trolleys and a long life of the crane. NIKO light cranes require only 1-4% force to move the load being lifted. For use in aggressive environments we can also offer Niko Cranes in stainless steel grade 304 & 316.

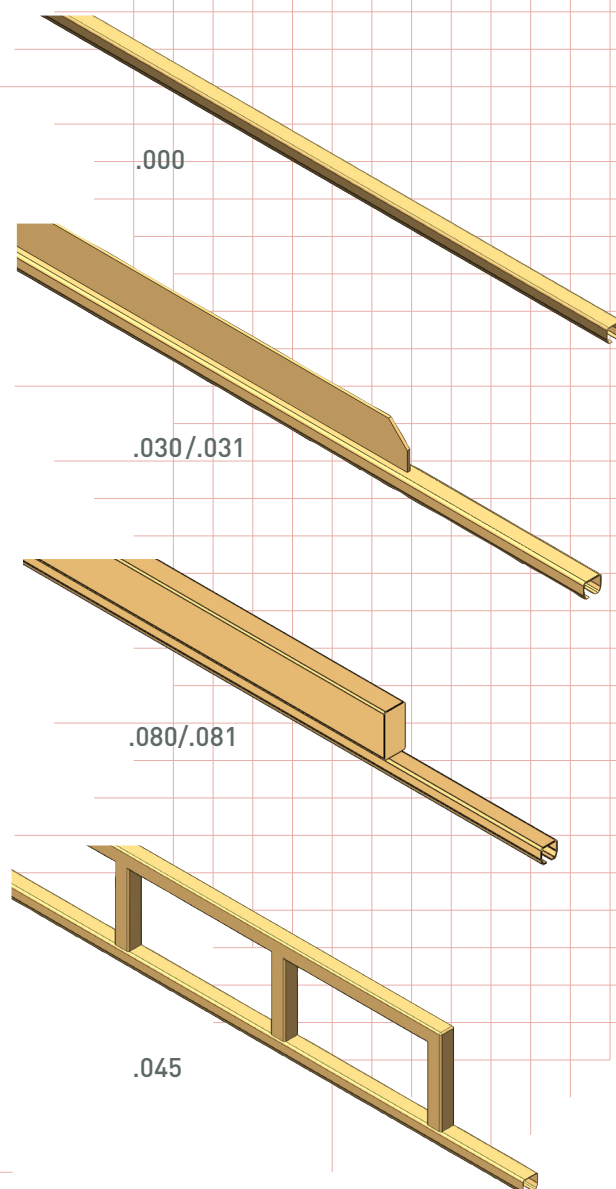
Stainless Steel Cranes

For use in special environments we can also offer Niko Cranes in stainless steel grade 304 and 316 Available profiles are indicated with a * in the table above.

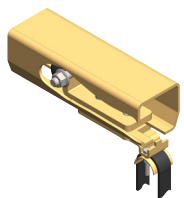
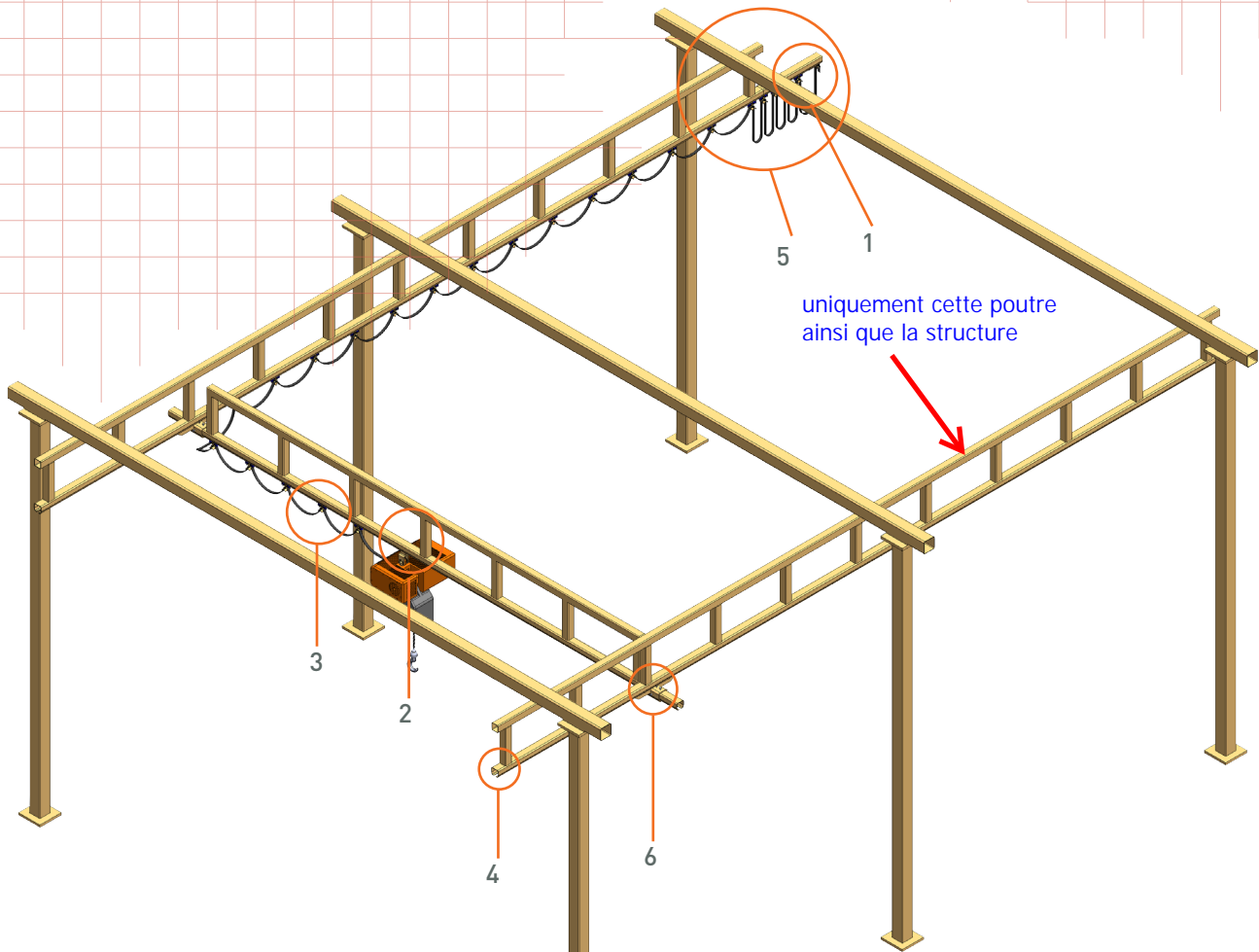
Light crane specifications



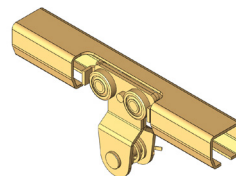
Capacity (Kg)	NIKO Profile No.	Bridge Length L max (m)	Runway supporting distance B max (m)
80	23.000	1,50	1,00
	23.030	4,00	3,50
125	24.000	1,80	1,40
	24.030	5,00	4,40
	24.031	6,00	5,20
	24.080	7,00	6,40
	24.045	9,00	8,00
250	25.000	2,50	1,80
	25.030	6,00	5,20
	25.080	8,00	7,00
	25.045	10,00	9,00
500	26.000	2,50	1,80
	26.030	6,00	5,20
	26.080	8,00	7,00
	26.045	10,00	9,00
750	26.000	1,80	1,00
	26.031	6,00	5,00
	26.081	8,00	7,00
	26.045	10,00	9,00
1000	27.000	3,00	2,00
	27.030	6,00	5,00
	27.080	8,00	7,00
	27.045	10,00	9,00
1600	27.000	1,50	1,00
	27.030	3,50	2,70
	27.080	6,00	5,00
	27.045	10,00	9,00
2000	27.080	5,00	4,00
	27.045	10,00	8,00



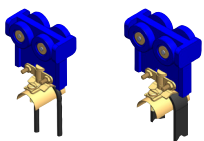
NIKO Light Crane - main components



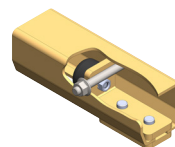
1. End stop with cable end clamp (.K02)



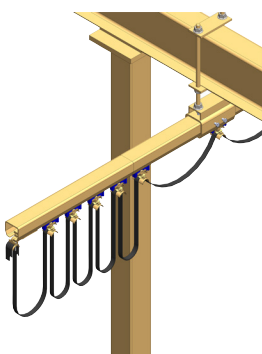
2. Trolley with clevis pins (.T48)



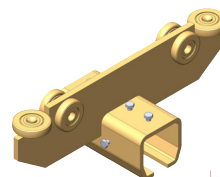
3. Cable trolley (.L00)



4. Track end stop with safety bolt & track punching (.X01) + (.X06)

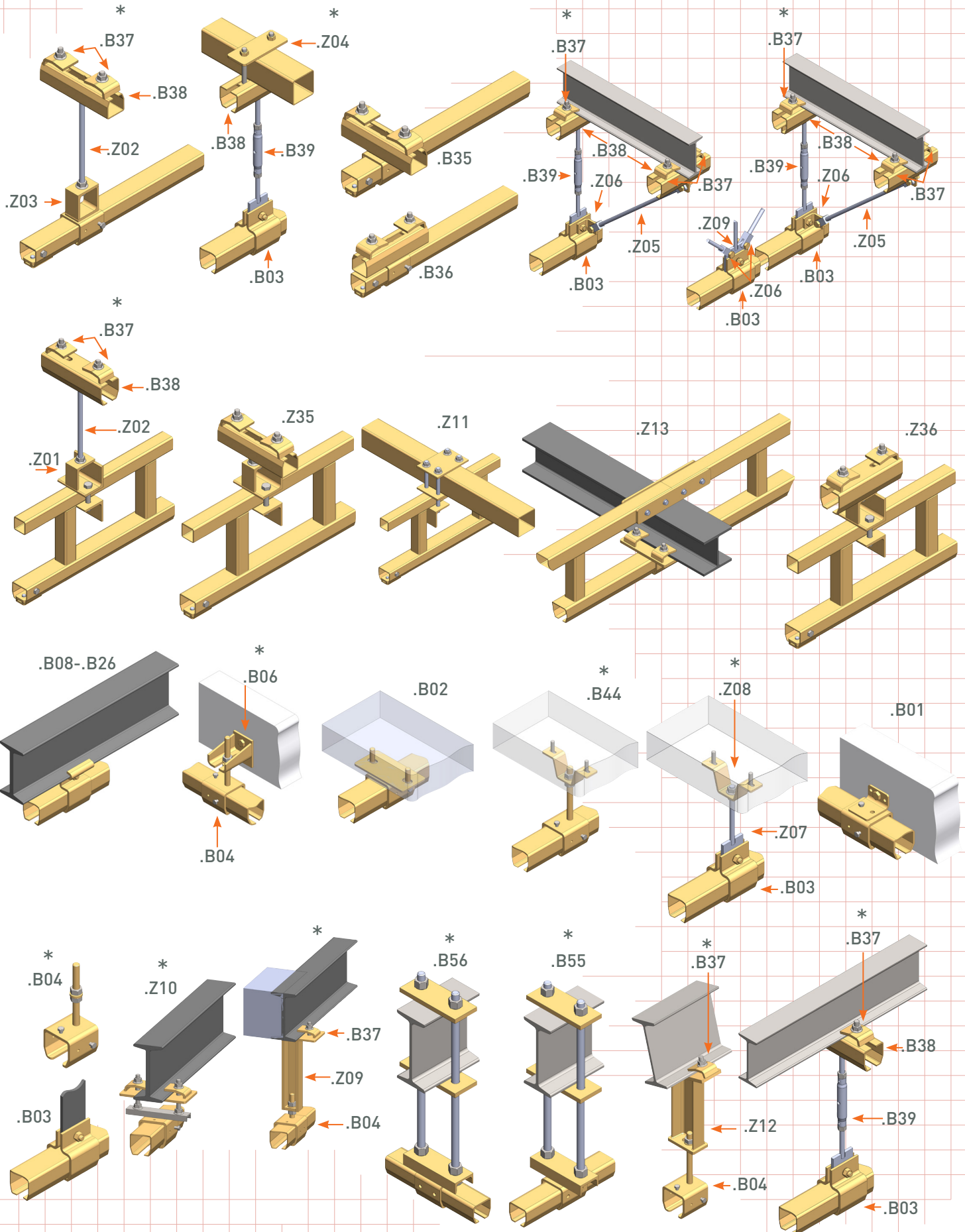


5. Festoon Storage
It is possible to extend one of the runway profile for festoon storage purposes. This way no crane travel space is lost.



6. End carriage with track joint (.T54)

NIKO mounting assembly options



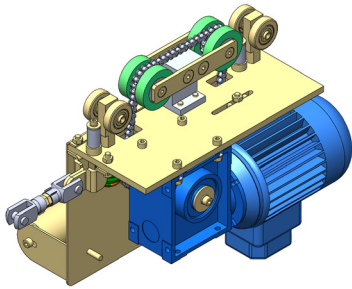
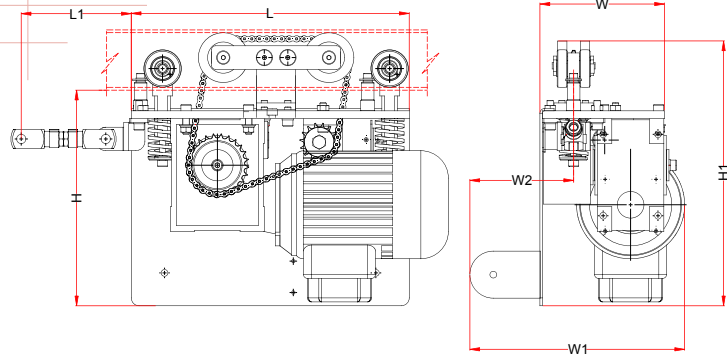
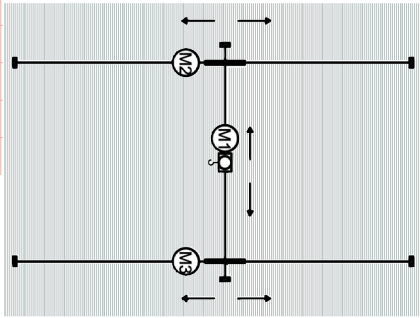
(*) Sway bracing may be required for the ceiling support brackets that are not directly mounted (flush mounted) to the supporting structure in order to reduce the swinging effect. Sway bracing kits are not included in our standard product range but can be provided upon request.

SmakHandling.com

1.844.841.2288

NIKO Power Driven Trolleys

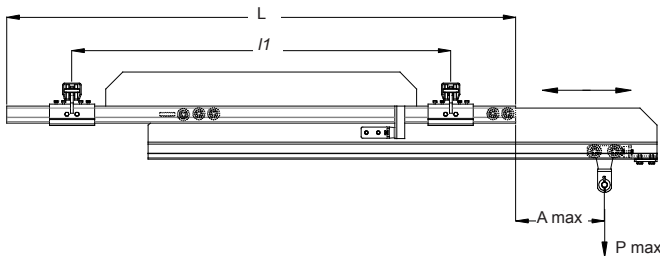
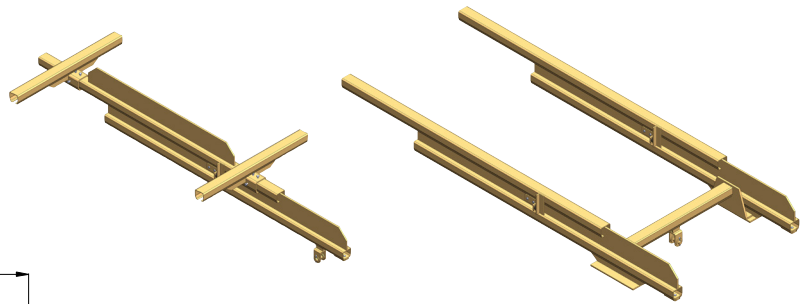
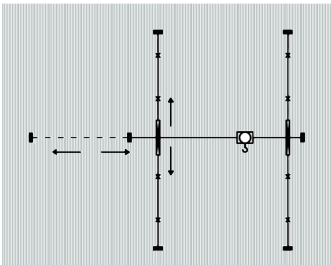
Light cranes and straight monorails can be electrically driven using our power driven trolleys (not to be used in bends). This is particularly useful for cranes that carry loads greater than 1000 Kg. The power driven trolley operates using 4 high quality friction wheels that ensure long life and accuracy of movement. Electric travel is possible in 3 options: Powered hoist trolley traveling across the bridge only (M 1), powered travel of the crane bridge only (M 2+M 3) and powered travel in all directions (M 1 + M 2 + M 3). Our power driven trolleys have inverter controlled motors that allow soft start and soft stop travel.



NIKO Profile No.	Power Driven Trolley	Transferred load (kg)	L (mm)	L1 (mm)	W (mm)	W1 (mm)	W2 (mm)	H (mm)	H1 (mm)
25.000	25.H120	500	355	145	160	260	142	275	332
26.000	26.H120	1000	355	145	160	260	142	276	347
27.000	27.H120	2000	355	180	160	260	142	277	380

NIKO telescopic cantilever crane and monorail

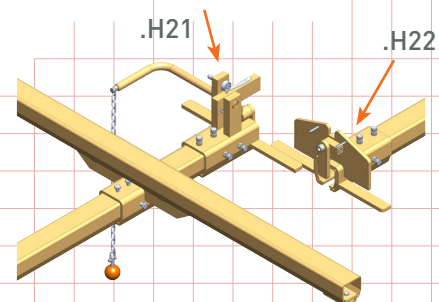
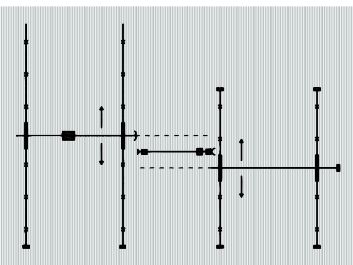
In order to cover a wider area than the supporting structure permits, telescopic cantilever monorails are available. Using our components telescopic cantilever cranes are also possible, which are often installed in containers, trucks and vans. This facilitates overhead lifting and loading from outside and into the vehicle.



NIKO Profil No.	23.000	24.000	25.000	26.000	27.000
P max Kg	40	75	125	250	500
A max mm	1200	1200	1300	1300	1300

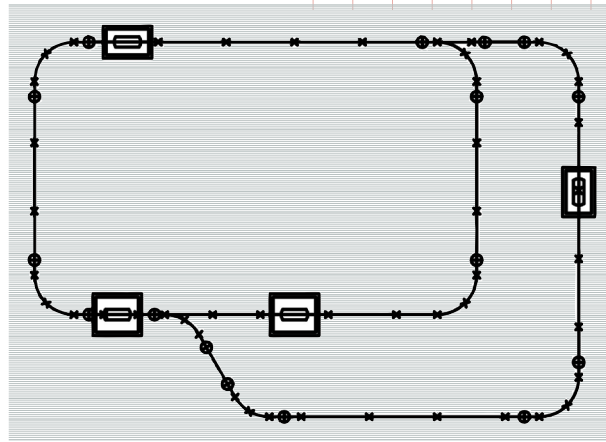
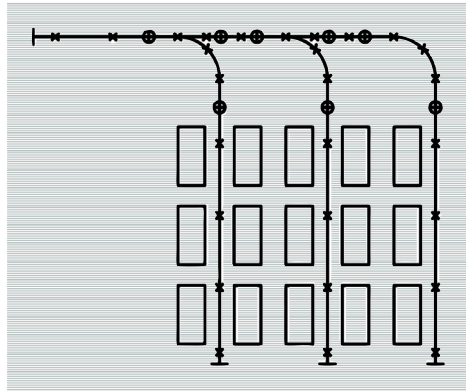
NIKO interlocks (Latching devices)

Interlocks (latching devices) are used to connect one crane with another crane and/or an overhead conveyor system. The load carrying trolley is transferred with safety from one system to the other.



NIKO Monorails with switches & bends

NIKO conveyor systems can be used in a variety of applications utilising more than 2.000 components such as switches and turn tables.

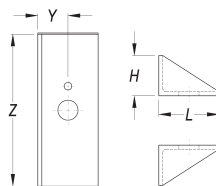
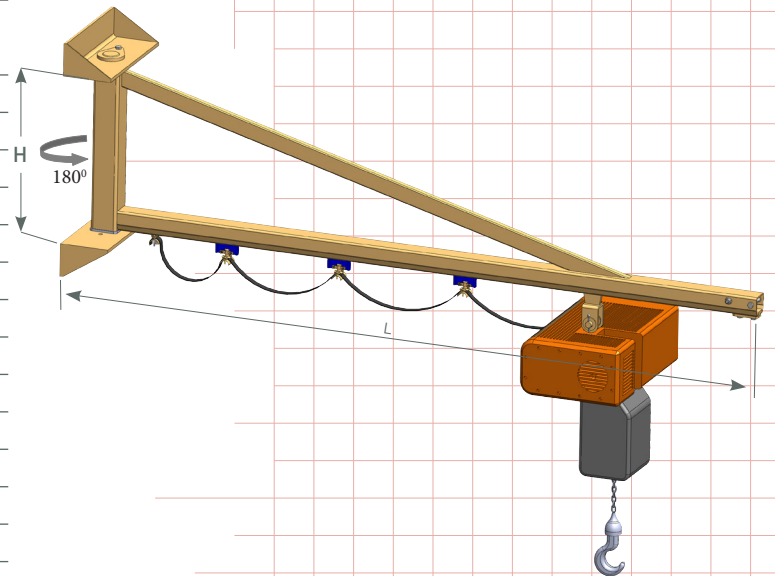


NIKO Jib Cranes

Utilising our enclosed Profiles we produce high quality and low cost jib cranes suitable for wall/ column mounting or freestanding. Our standard range covers 180° to 270° for capacities of up to 1.000kg. Our jib crane kits come complete with a trolley for load suspension and the appropriate cable/hose trolleys.

Our enclosed profile design offers ease of use and minimal pulling / pushing force in the operation of the jib cranes. This is critical for the ergonomic operation of the jib crane to minimise potential strain on the user.

Weight (Kg)	NIKO Jib Crane Art no.	L (mm)	Niko Profil No.	H (mm)
80	24.J052	2000	24.000	500
	24.J053	3000	24.000	500
	24.J064	4000	24.000	600
	25.J095	5000	25.000	900
	25.J106	6000	25.000	1000
125	25.J052	2000	25.000	500
	25.J053	3000	25.000	500
	25.J064	4000	25.000	600
	25.J095	5000	25.000	900
	25.J106	6000	25.000	1000
250	25.J052	2000	25.000	500
	25.J063	3000	25.000	600
	25.J084	4000	25.000	800
	26.J095	5000	26.000	900
500	26.J106	6000	26.000	1000
	26.J082	2000	26.000	800
	26.J083	3000	26.000	800
	26.J094	4000	26.000	900
	27.J105	5000	27.000	1000
1000	27.J116	6000	27.000	1100
	27.J092	2000	27.000	900
	27.J093	3000	27.000	900
	27.J104	4000	27.000	1000



NIKO Profile No.	24.000
Wall Mounting Bracket Kit No	24.B90
H (mm)	100
L (mm)	150
Y (mm)	75
Z (mm)	380

SmakHandling.com

1.844.841.2288



AUSTRIA-NIKO Vertriebs GmbH
 Hainfelderstraße 48
 A – 2560 Berndorf
 Tel. 0043 (0) 2672 21201
 Fax 0043 (0) 2672-21201-13
office.at@niko.eu.com

CHINA-NIKO TRADING (SHANGHAI) Co., Ltd
 Room 605, Building #13, No.354
 Linghe Road, Pudong District,
 P.R.China - 200120 Shanghai
 Tel. 0086 139 1814 5645
info.cn@niko.eu.com

GERMANY-NIKO Technik GmbH
 Robert-Bosch-Str. 14
 DE – 42489 Wülfrath
 Tel. 0049 (0) 2058 9093603
 Fax 0049 (0) 2058 9093604
office.de@niko.eu.com

GREECE-Helm Hellas S.A.
 82nd Km Athens-Korinthos
 P.O. Box 209
 GR - 201 00 KORINTHOS
 Tel. 0030 27410 85803-6
 Fax 0030 27410 25368
info@niko.eu.com

POLAND- NIKO Polska
 Wojska Polskiego 65A
 PL - Wielun 98-300
 Tel. 0048 504 00 35 56
info.pl@niko.eu.com

UNITED KINGDOM-NIKO Ltd
 Units 15-21, Insight Park
 Welsh Road East, Southam
 Warwickshire, CV47 1NE - UK
 Tel. 0044 (0) 1926 813111
 Fax 0044 (0) 1926 815599
Sales@niko.co.uk
www.niko.co.uk

TRADITION IS PROGRESS PRESERVED, PROGRESS IS TRADITION CONTINUED.

NIKO 1972 – 2017

A family business for 45 years, NIKO has been built on the foundations of Tradition and Progress, always heading towards a successful economic future.

QUALITY IS THE RESULT OF ATTENTION TO DETAIL.

Quality will always be a standard for us, our products, our staff and our partners.

OUR VISION.

We are an international company and our goal is to be market leaders in each of our business sectors.

OUR VALUES

- ✓ We want to offer our customers the best quality at a reasonable price.
- ✓ We strive for continual improvement in our quality procedures – because we believe the company that doesn't move forward will be left behind.
- ✓ We respond to any demand on the market with the ongoing development of new products.
- ✓ We support our co-workers by ensuring they are highly motivated and well qualified.
- ✓ We want to expand into new sales markets to continue to win and satisfy customers.

www.niko.eu.com



SmakHandling.com

1.844.841.2288

Complete product range **NIKO**:

- A1 – Residential Sliding Door Hardware
- A2 – Sliding Curtains Hardware
- B1 – Heavy Duty Sliding Door Hardware
- B2 – Folding and Harmonica Door Hardware
- B3 – Garage Door and Door around the corner Hardware
- C1 – Overhead Conveyor Systems
- C2 – Light Cranes
- C3 – Cable Trolleys and Festoon Systems
- C4 – Personal Fall Arrest Systems (EN 795)
- D – Sliding Gate Hardware

Copyright NIKO (Version June 2016)

We take no obligation for layout, composition, technical modifications as well as misprints.