

Stainless steel
cranes

Series 304/316



NIKO ... Quality in Motion

smak
Industrial Handling
Solutions

SmakHandling.com

1.844.841.2288

www.niko.eu.com
www.niko.world
www.niko.co.uk
www.nikotrack.com

Stainless steel light crane series 304/316

NIKO stainless steel light cranes are necessary in industries like pharmaceutical and fine chemical industries. They are also being applied in corrosive environments, or in areas that are frequently washed or disinfected (such as in food processing).



- ✓ For loads up to 500kg
- ✓ Cranes available in **series 316**, ideal for avoiding excessive metallic contamination.
- ✓ 4 different NIKO profiles
- ✓ Custom engineered solutions



Industries:

- ✓ Pharmaceutical industry
- ✓ Food processing
- ✓ Chemical industry
- ✓ Offshore
- ✓ Marine and washdown applications



SmakHandling.com

1.844.841.2288

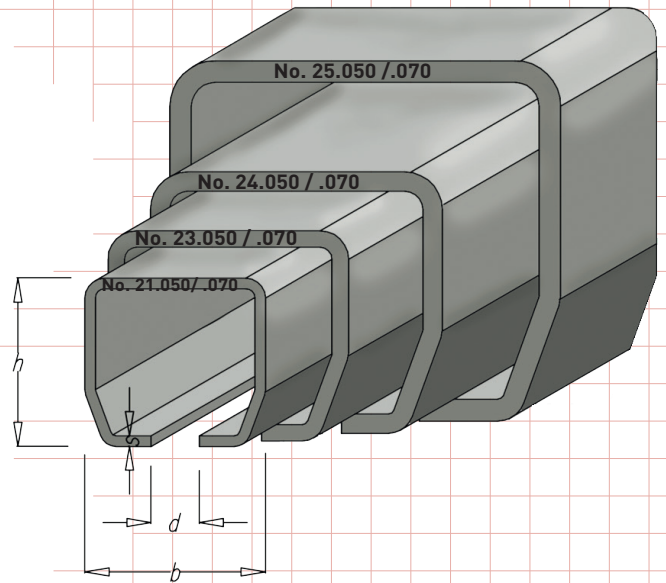
Product range in stainless steel:

☐ Freestanding light cranes ☐ Ceiling mounted cranes ☐ Jib cranes

Stainless steel Conveyor systems are also available.
Please ask us for more information.

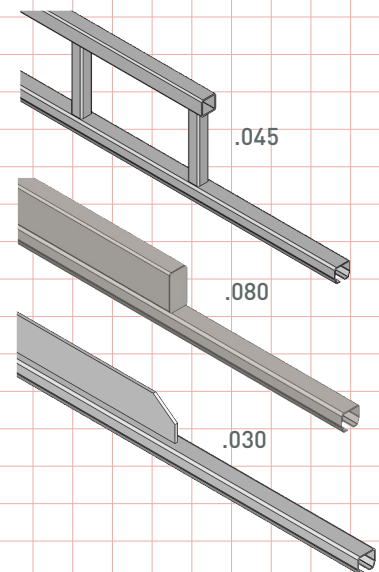
General Details for track profiles

NIKO Profile No.	Dimensions			
	h (mm)	b (mm)	d (mm)	s (mm)
21.050 Stainless steel (304)	28.00	30.00	8.00	1.75
21.070 Stainless steel (316)	28.00	30.00	8.00	1.75
23.050 Stainless steel (304)	35.00	40.00	11.00	2.75
23.070 Stainless steel (316)	35.00	40.00	11.00	2.75
24.050 Stainless steel (304)	43.50	48.50	15.00	3.20
24.070 Stainless steel (316)	43.50	48.50	15.00	3.00
25.050 Stainless steel (304)	60.00	65.00	18.00	4.00
25.070 Stainless steel (316)	60.00	65.00	18.00	4.00



Stainless steel light cranes specifications for reinforced tracks

Capacity (Kg)	NIKO Profile No. Series 304	NIKO Profile No. Series 316	Bridge Length L max (m)	Long travel supporting distance B max (m)
80	23.050	23.070	1.50	1.00
	53.030	73.030	4.00	3.50
125	24.050	24.070	1.80	1.40
	54.030	74.030	5.00	4.40
	54.031	74.031	6.00	5.20
	54.080	74.080	7.00	6.40
250	54.045	74.045	9.00	8.00
	25.050	25.070	2.50	1.80
	55.030	75.030	6.00	5.20
	55.080	75.080	8.00	7.00
500	Available upon request with reinforced tracks and carriages			



STAINLESS
STEEL

316

Superior corrosion resistance

- ✓ Ideal where the environment must be corrosion resistant to chlorides (like sea water and de-icing salts)
- ✓ Greater resistance to chemical attack than 304.
- ✓ 316 grade is more durable making the NIKO crane a profitable solution in long term.

Send us your enquiry: info@niko.eu.com

Version April 2018

SmakHandling.com

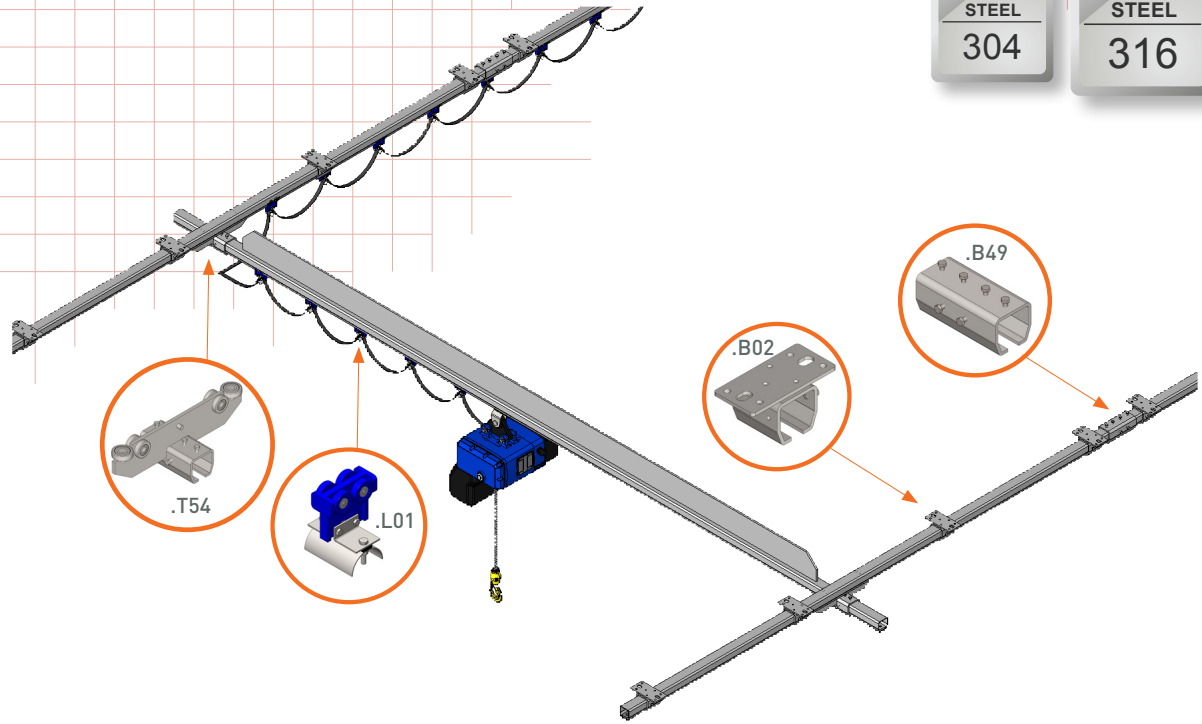
1.844.841.2288

NIKO Stainless Steel Light Crane, 304/316

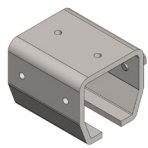
- main components

STAINLESS
STEEL
304

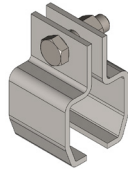
STAINLESS
STEEL
316



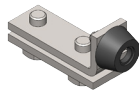
Other available products in stainless steel series 304/316.



.B00



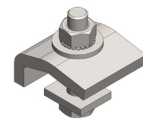
.B03



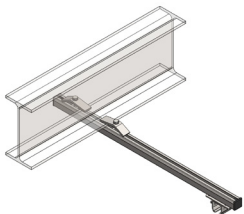
.X01



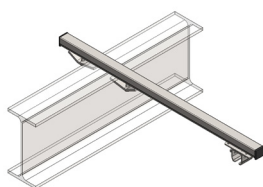
51.B37



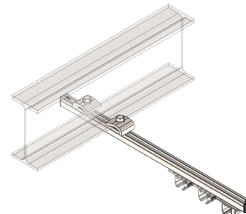
53-55.B37



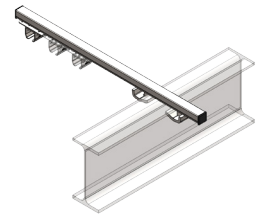
51.B63



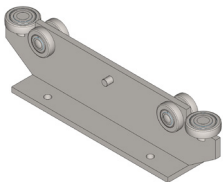
51.B60



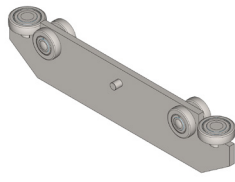
53.B63



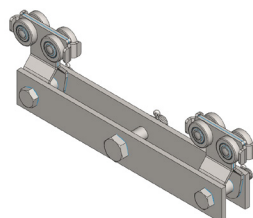
53.B60



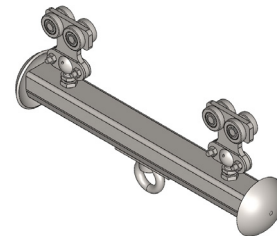
.T51



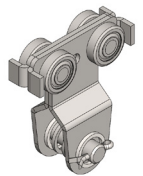
.T52



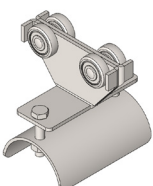
.T49



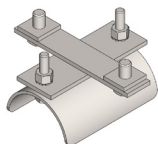
.T24



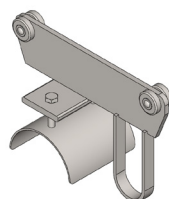
.T48



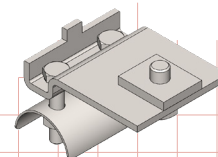
.L10



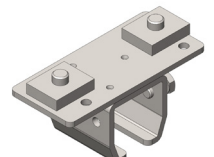
.K10



.M10



.K00



.B62

Please refer to catalogue NIKO Light cranes & Jib cranes for more information

NIKO Stainless Steel Jib cranes

NIKO provides corrosion resistance stainless steel jib cranes perfect for cleanroom environments.

STAINLESS
STEEL
304

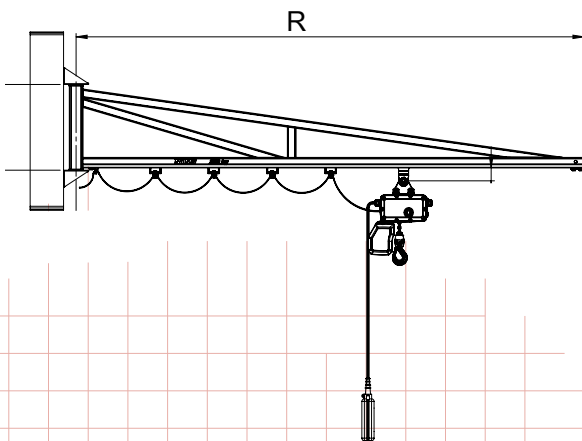
STAINLESS
STEEL
316

Types:

- ✓ Freestanding jib cranes
- ✓ Ceiling mounted jib cranes
- ✓ Wall mounted jib cranes
- ✓ Clamp around column jib crane



NIKO Profiles: 24.000 & 25.000
SWL: up to 250kg
R (Radius) : 4m.



Please refer to catalogue *NIKO Light cranes & Jib cranes* for more information.

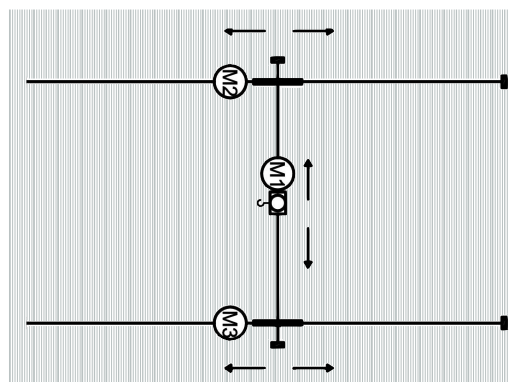
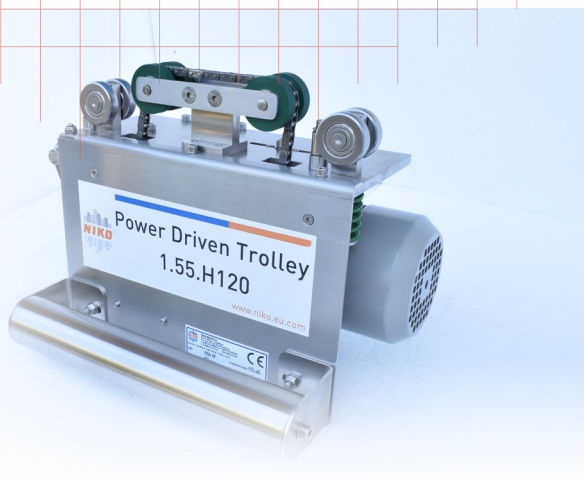
Version April 2018

SmakHandling.com

1.844.841.2288

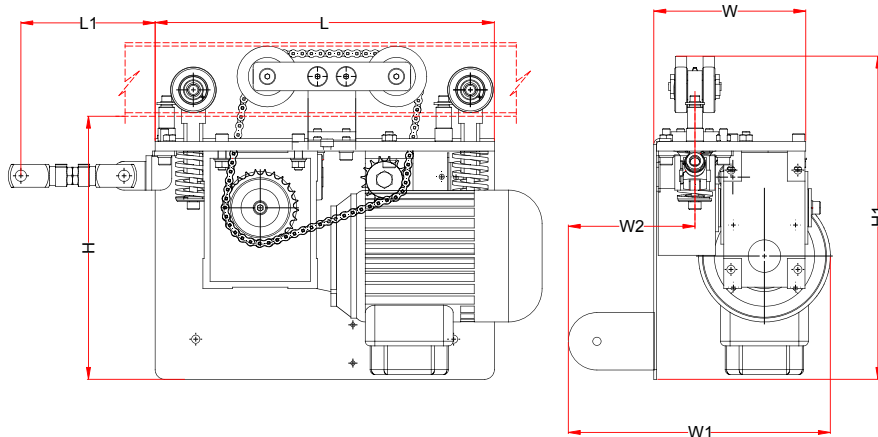
NIKO Power Driven Trolleys

Light cranes and straight monorails can be electrically driven using our power driven trolleys (not to be used in bends). The power driven trolley operates using 4 high quality friction wheels that ensure long life and accuracy of movement. Electric travel is possible in 3 options: Powered hoist trolley traveling across the bridge only (M1), powered travel of the crane bridge only (M2+M3) and powered travel in all directions (M1+M2+M3). Our power driven trolleys have inverter controlled motors that allow soft start and soft stop travel.



Technical details

- Reduction gear for reliable operation and low maintenance.
- Drive wheels molded with rubber for smooth acceleration.
- Standard motor units configured for 3 phase power 230-400 V.
- Power: 0,37 Kw , 1400 rpm motor, current: 230 V - 1,8 A / 400 V - 1,04 A.
- Inverter controlled speed , (lower speed 7m/min , higher speed 20m/min) with soft start & soft stop.
- The gear box and motor unit are made of aluminium alloy.



NIKO Profile No.	Power Driven Trolley	Transferred load (kg)	L (mm)	L1 (mm)	W (mm)	W1 (mm)	W2 (mm)	H (mm)	H1 (mm)
55.000	55.H120	500	355	145	160	260	142	275	332



PLEASE SEND REQUEST FOR OUR DOCUMENTATION
info@niko.eu.com

Version April 2018

SmakHandling.com

1.844.841.2288



AUSTRIA-NIKO Vertriebs GmbH

Hainfelder Straße 48
A - 2560 Berndorf
Tel. 0043 2672-21201
Fax 0043 2672-21201-13
office.at@niko.eu.com
www.niko.world

CHINA-NIKO TRADING (SHANGHAI) Co., Ltd

Room 605, Building #13, No.354
Linghe Road, Pudong District,
P.R.China - 200120 Shanghai
Tel. 0086 139 1814 5645
info.cn@niko.eu.com

GERMANY-NIKO Technik GmbH

Robert-Bosch-Str. 14
DE - 42489 Wülfrath
Tel. 0049 (0) 2058 9093603
Fax 0049 (0) 2058 9093604
office.de@niko.eu.com

GREECE-Helm Hellas S.A.

82nd Km Athens-Korinthos
P.O. Box 209
GR - 201 00 KORINTHOS
Tel. 0030 27410 76800
Fax 0030 27410 25368
info@niko.eu.com

POLAND- NIKO Polska

Wojska Polskiego 65A
PL - Wielun 98-300
Tel. 0048 504 00 35 56
info.pl@niko.eu.com

UNITED KINGDOM-NIKO Ltd

Units 15-21, Insight Park
Welsh Road East, Southam
Warwickshire, CV47 1NE -UK
Tel. 0044 (0) 1926 813111
Fax 0044 (0) 1926 815599
Sales@niko.co.uk
www.niko.co.uk

USA-NIKO Track

300 Highpoint Ave
USA - Portsmouth, RI. 02871
Tel. 001 (0) 401 683 7525
Fax 001 (0) 401 293 3848
info@nikotrack.com
www.nikotrack.com

www.niko.eu.com www.niko.co.uk www.nikotrack.com www.niko.world



SmakHandling.com

1.844.841.2288

Complete **NIKO** product range:

- LIGHT DUTY SLIDING DOOR HARDWARE
- HEAVY DUTY SLIDING DOOR HARDWARE
- CONVEYOR SYSTEMS
- LIGHT CRANES
- CABLE TROLLEYS, FESTOON SYSTEMS & CONDUCTOR BARS
- PERSONAL FALL ARREST SYSTEMS (EN 795)
- ACCESSORIES FOR GATES AND DOORS