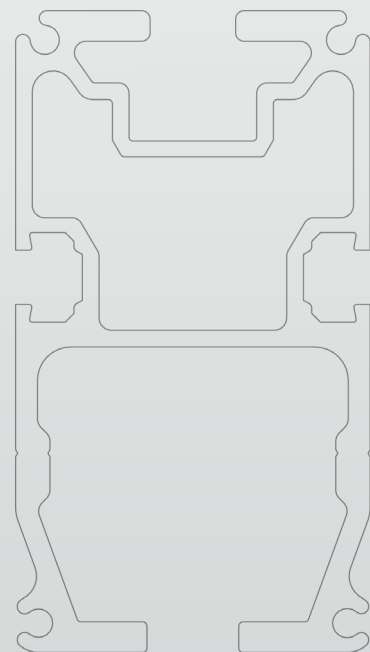
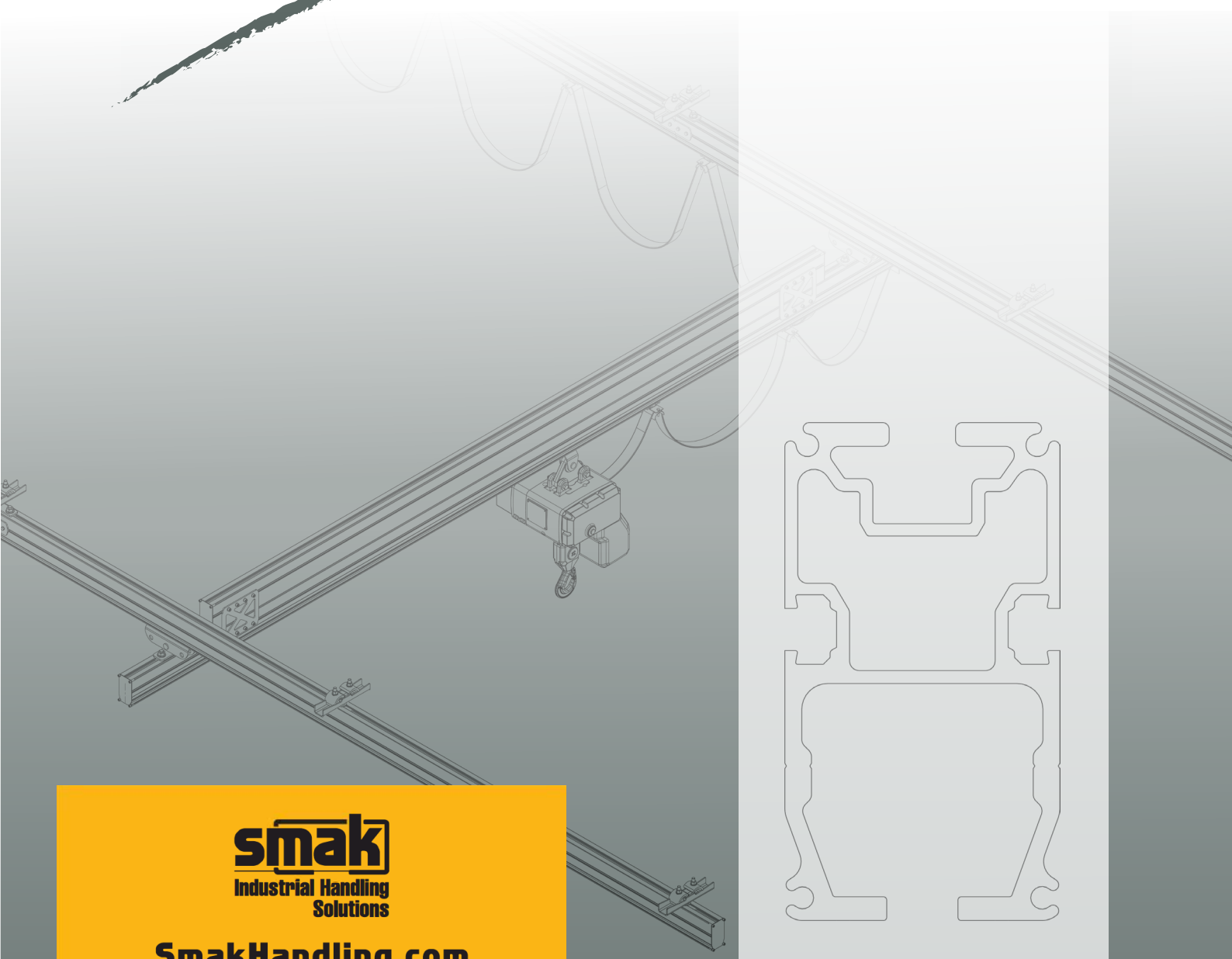


NIKO Aluminium Light Crane Systems



NIKO ... Quality in Motion



smak
Industrial Handling
Solutions

SmakHandling.com

1.844.841.2288

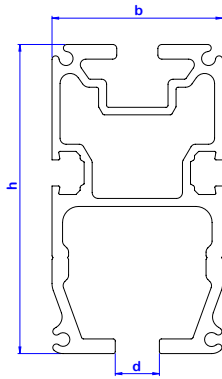
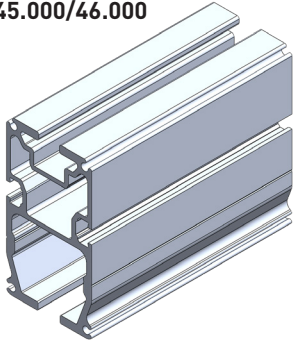
www.niko.eu.com

NIKO Aluminium Profiles Series 45./46.000

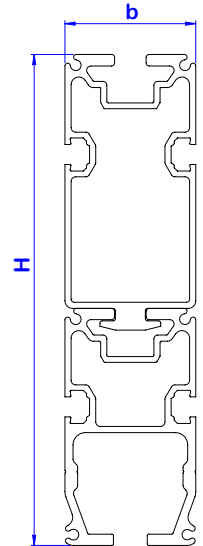
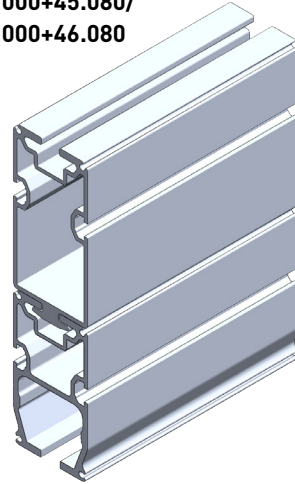
- Specifications

The perfect alternative to every light material handling need. The light weight and the robust design of NIKO aluminium cranes offer an easy installation and a weightless feel of the load during the movement.

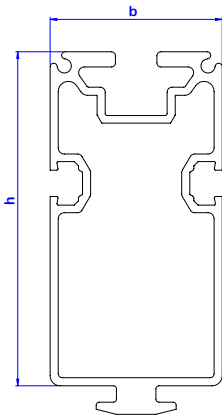
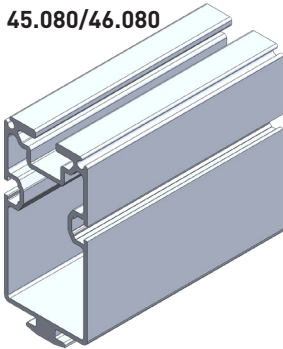
Aluminium anodized track profile in standard 7m length
45.000/46.000



Reinforced aluminium track
**45.000+45.080/
46.000+46.080**



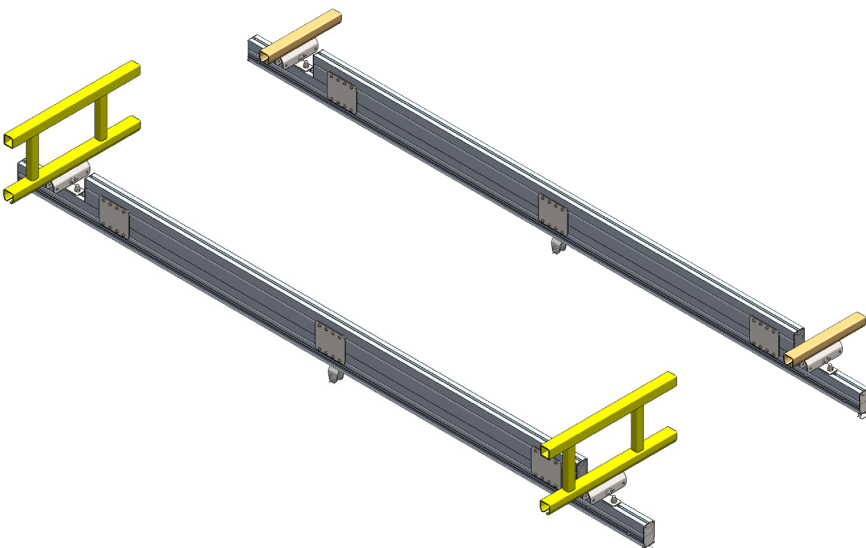
Reinforcement for aluminium track
45.080/46.080



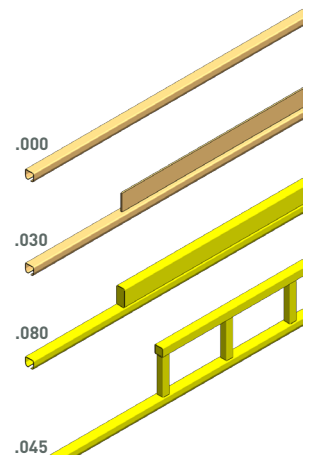
NIKO Profile No.	Dimensions (mm)			Weight (kg/m)
Part. No.	h (mm)	b (mm)	d (mm)	
45.000	126	70	18	5.9
46.000	145	85	22	8.5
45.080	135	70	-	5.6
46.080	165	85	-	8

NIKO aluminium track profiles are made of extruded high strength alum. alloy 6061-T66. The profiles are natural coloured anodized.

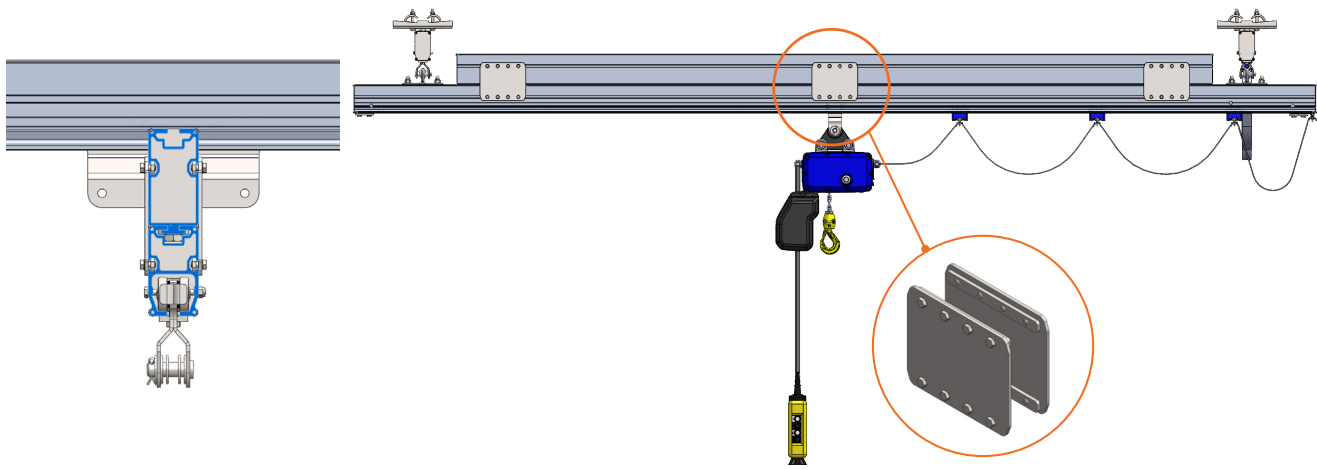
NIKO Aluminium profiles can be combined with steel NIKO profiles .000 and .045



NIKO Steel Track profiles



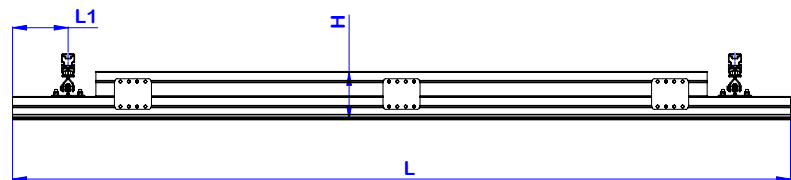
NIKO Aluminium Reinforced Profile 45.000 + 45.080/ 46.000 + 46.080 - Specifications



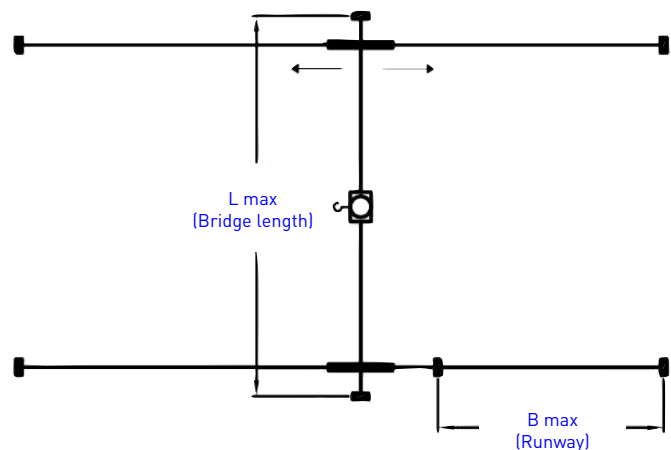
.Z45

Connection kit for reinforced tracks

NIKO Profile No.	45.000	46.000
Part No.	45.080	46.080
Max. capacity (kg)	250	500
L max (m)	7	7
H (mm)	261	310
L1 (mm)	300	400



NIKO Aluminium Light Cranes - Specifications

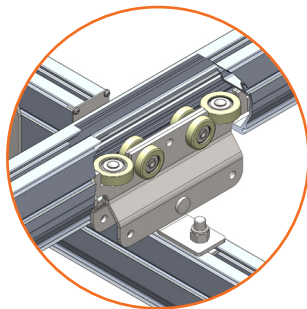


Capacity (kg)	NIKO Alum. Profile	Bridge Length L max (m)	Runway Sup. Distance B max (m)
250	45.000	3.8	3.2
	45.000 + 45.080	7	6.5
500	46.000	4,3	3.7
	46.000 + 46.080	5.8	5
500	45.000 + 45.080 (double girder crane)	7	6.5
1000	46.000 + 46.080 (double girder crane)	5.8	5

NIKO Aluminium Cranes - Freestanding Applications

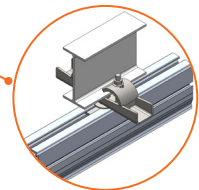
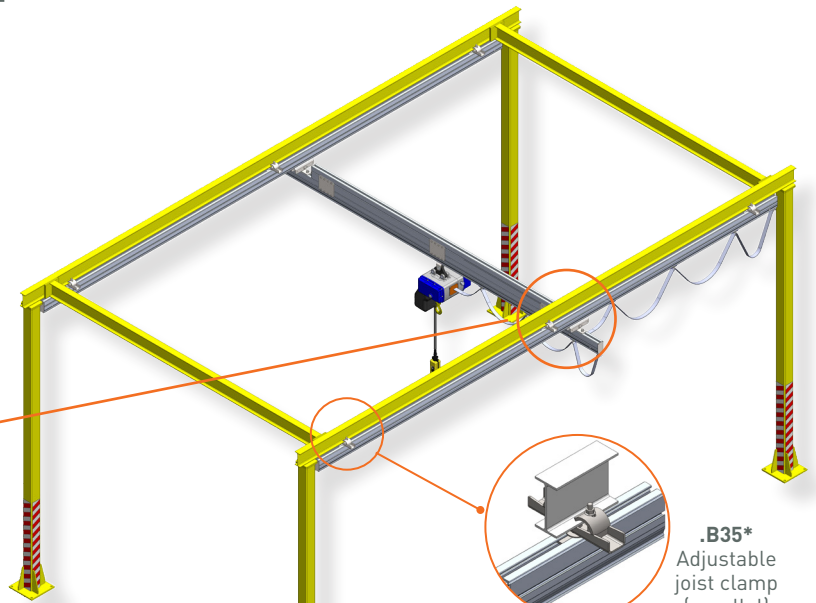
Typical Layout Configuration 1

- ✓ Freestanding aluminium light crane
- ✓ Working loads up to 500kg
- ✓ Power transfer: Cable trolleys
- ✓ Suitable for installation in harsh environments.
- ✓ Max. 7m. bridge length

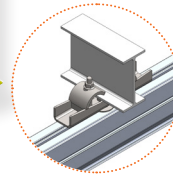


.T54
End carriage

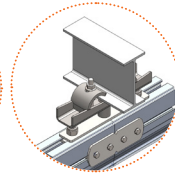
- ✓ Steel, zinc plated body
- ✓ Durable polyamide wheels with sealed bearings



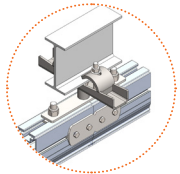
.B35*
Adjustable
joist clamp
(parallel)



.B35*
(vertical)



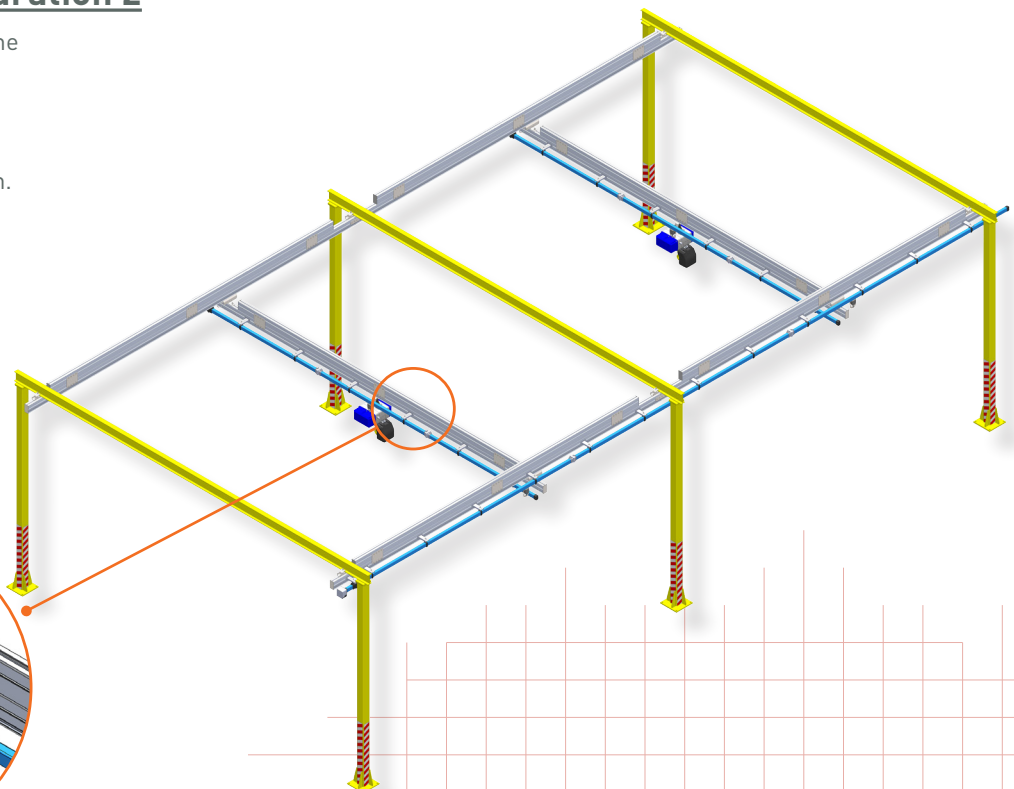
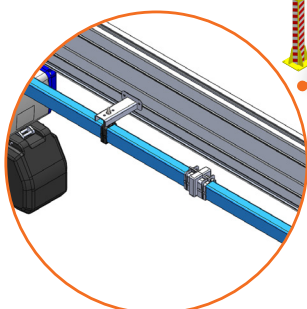
.B71*
Adjustable
joist clamp with
splice joint (vertical)



.B71*
(parallel)

Typical Layout Configuration 2

- ✓ Freestanding aluminium light crane
- ✓ Working loads up to 500kg
- ✓ Power transfer: Conductor bars
- ✓ Multiple bridge cranes
- ✓ Lower noise level during operation.



* Support brackets are used for mounting to the underside flange of para

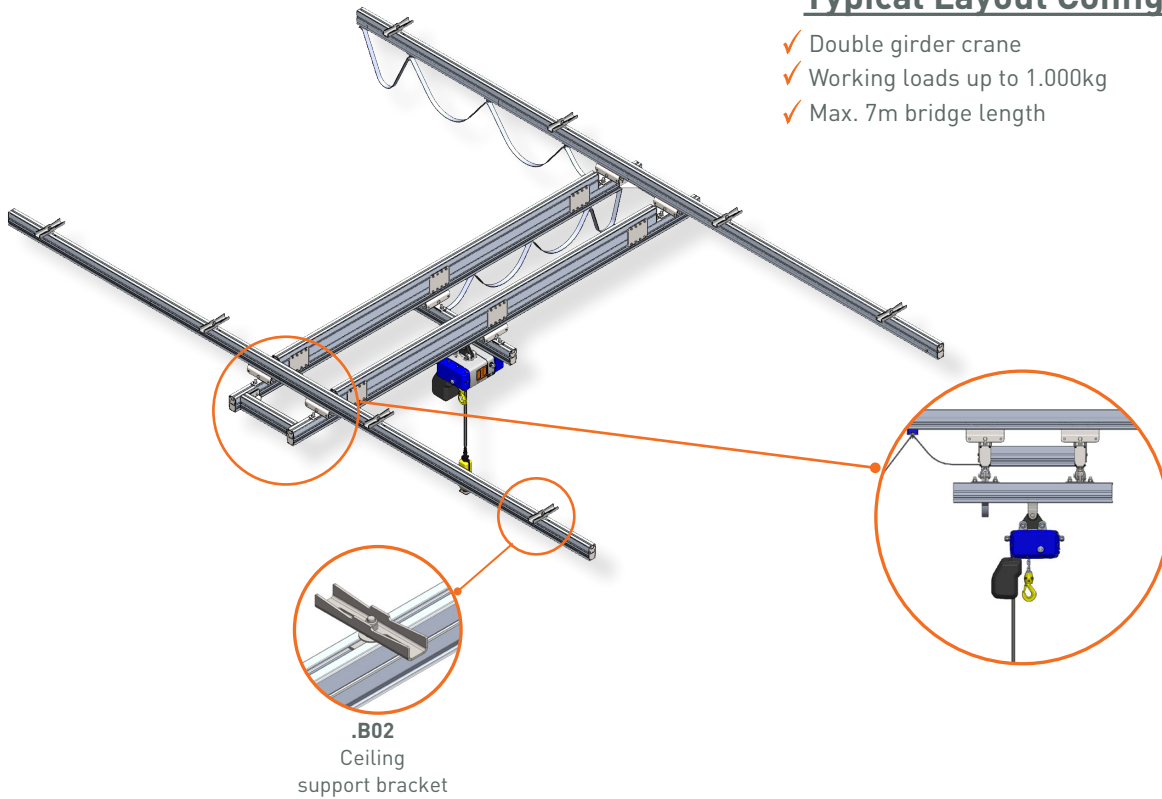
SmakHandling.com

1.844.841.2288

NIKO Aluminium Cranes - Ceiling mounted Applications

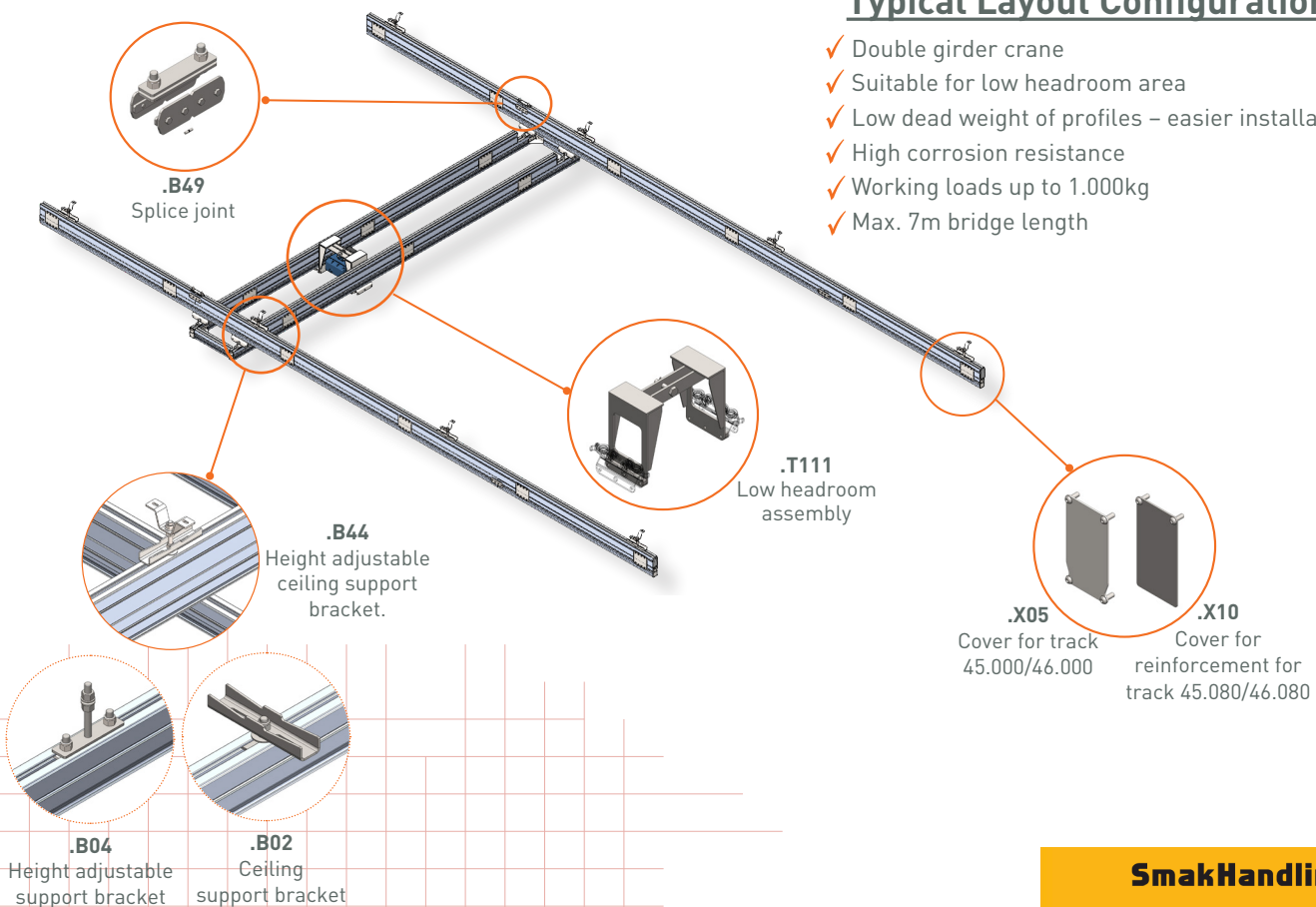
Typical Layout Configuration 1

- ✓ Double girder crane
- ✓ Working loads up to 1.000kg
- ✓ Max. 7m bridge length



Typical Layout Configuration 2

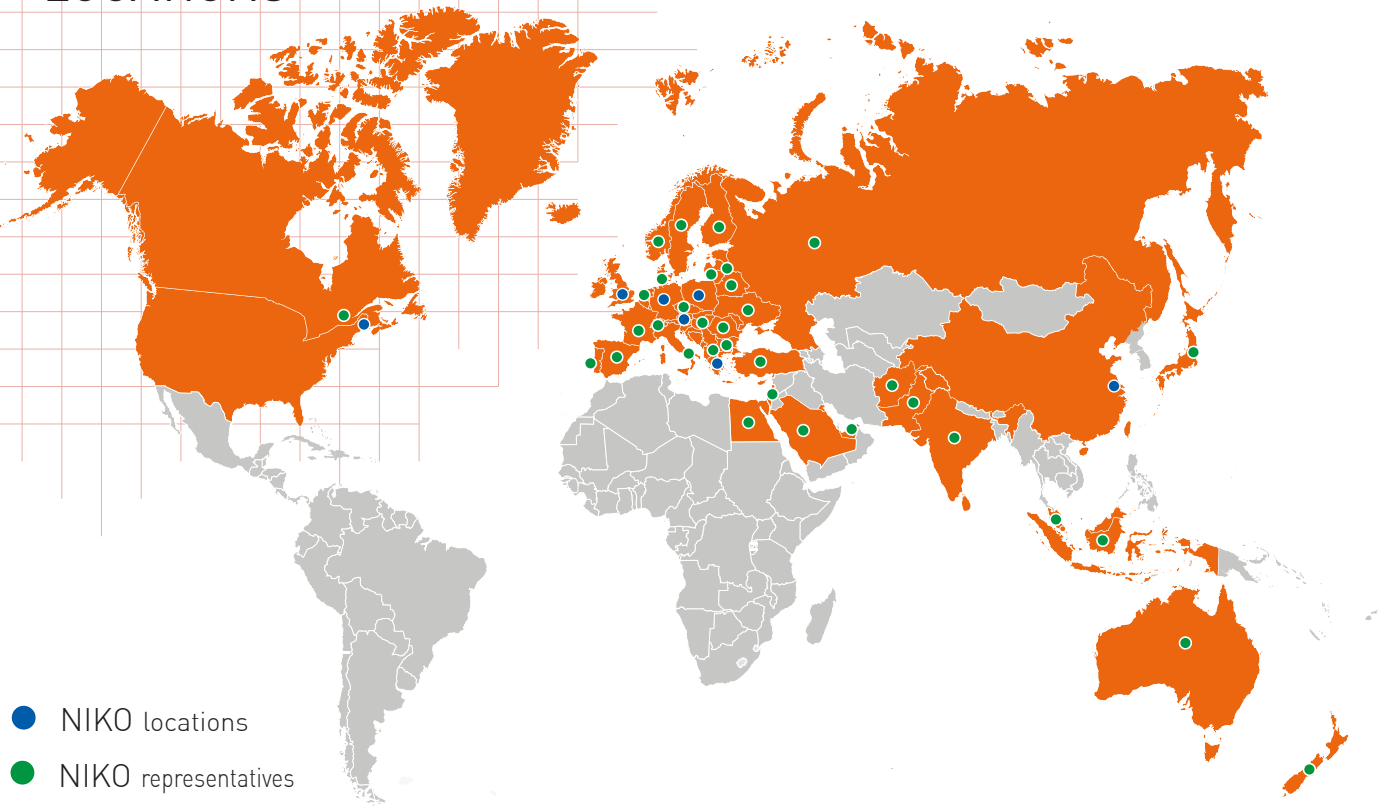
- ✓ Double girder crane
- ✓ Suitable for low headroom area
- ✓ Low dead weight of profiles – easier installation
- ✓ High corrosion resistance
- ✓ Working loads up to 1.000kg
- ✓ Max. 7m bridge length





Global LOCATIONS

www.niko.eu.com



AUSTRIA-NIKO Vertriebs GmbH

Hainfelder Straße 48
 A - 2560 Berndorf
 Tel. 0043 2672 21201
 Fax 0043 2672-21201-13
office.at@niko.eu.com
www.niko.world

GREECE-Helm Hellas S.A.

82nd Km Athens-Korinthos
 P.O. Box 209
 GR - 201 00 KORINTHOS
 Tel. 0030 27410 76800
 Fax 0030 27410 25368
info@niko.eu.com

USA-NikoTrack LLC

210 Century Drive
 Bristol, CT 06010
 Tel. 001 860-845-8179
 Fax 001 860-584-8612
info@nikotrack.com
www.nikotrack.com

CHINA-NIKO TRADING (SHANGHAI)

Co., Ltd
 Room 901-156, No.18 TianShan Road,
 ChangNing District, Shanghai,
 P.R.China
 Tel. 0086 158 0064 7160
info.cn@niko.eu.com

UNITED KINGDOM-NIKO Ltd

Units 15-21, Insight Park
 Welsh Road East, Southam
 Warwickshire, CV47 1NE - UK
 Tel. 0044 (0) 1926 813111
 Fax 0044 (0) 1926 815599
Sales@niko.co.uk
www.niko.co.uk

POLAND- NIKO Polska

Wojska Polskiego 65A
 PL - Wielun 98-300
 Tel. 0048 504 00 35 56
info.pl@niko.eu.com

GERMANY-NIKO Technik GmbH

Robert-Bosch-Str. 14
 DE - 42489 Wülfrath
 Tel. 0049 (0) 2058 9093603
 Fax 0049 (0) 2058 9093604
office.de@niko.eu.com



SmakHandling.com

1.844.841.2288

Complete **NIKO** product range:

- LIGHT DUTY SLIDING DOOR HARDWARE • HEAVY DUTY SLIDING DOOR HARDWARE • ACCESSORIES FOR GATES AND DOORS
- CONVEYOR SYSTEMS • LIGHT CRANES • CABLE TROLLEYS, FESTOON SYSTEMS & CONDUCTOR BARS
- PERSONAL FALL ARREST SYSTEMS (EN 795)

Copyright NIKO [Version February 2020]

We take no obligation for layout, composition, technical modifications as well as misprints.