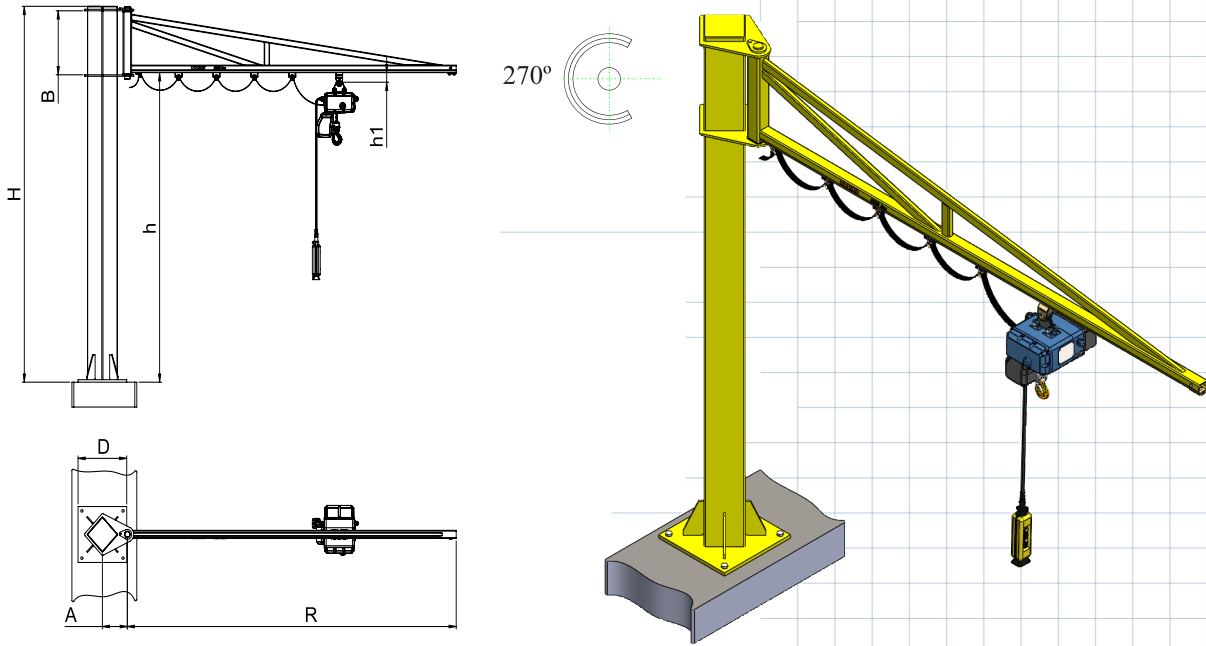


# Over-braced (OB) Profile Jib cranes

In OB Profile Jib cranes the bracings are located above our NIKO track profile. This type is the most free running along the arm length and therefore is generally the easiest type for the operator to use.

## Freestanding Jib crane

NIKO freestanding jib cranes are supplied in kit form and comprise of 2 main parts: the pillar and the arm. The pillars are designed and fabricated to suspend the required jib arm type. The arm is fixed to the column using a pivot pin. The arm then rotates around the pillar and enables lifting within a predetermined arc.



SWL (kg)	Free standing OB Profile Jib Crane NIKO Part No.	Arm Dimensions				Freestanding pillar Dimensions			
		Radius R (m)	NIKO track Profile	Kingpin Height B (mm)	Trolley Depth h1 (mm)	Overall Height H (mm)*	Height to Under Arm h (mm)	Pivot Point A (mm)	Base Size D (mm)
80	24.J053.K30	3	24.000	500	65	3000	2500	230	450x450
	24.J054.K30	4	24.000	500	65	3000	2500	230	450x450
	24.J065.K30	5	24.000	600	65	3000	2400	230	450x450
	25.J066.K30	6	25.000	600	77	3000	2400	260	600x600
125	25.J053.K30	3	25.000	500	77	3000	2500	230	450x450
	25.J054.K30	4	25.000	500	77	3000	2500	230	450x450
	25.J065.K30	5	25.000	600	77	3000	2400	230	600x600
	25.J0756.K30	6	25.000	750	77	3000	2250	260	600x600
250	25.J063.K30	3	25.000	600	77	3000	2400	230	450x450
	25.J064.K30	4	25.000	600	77	3000	2400	260	600x600
	26.J0755.K30	5	26.000	750	94	3000	2250	260	600x600
500	26.J0856.K30	6	26.000	850	94	3000	2150	260	700x700
	26.J0753.K35	3	26.000	750	94	3500	2750	260	600x600
	26.J0754.K35	4	26.000	750	94	3500	2750	260	600x600
	27.J0855.K35	5	27.000	850	123	3500	2650	260	600x600
1000	27.J106.K35	6	27.000	1000	123	3500	2500	315	700x700
	27.J0753.K35	3	27.000	750	123	3500	2750	315	700x700
	27.J0854.K35	4	27.000	850	123	3500	2650	315	700x700

\* Columns are available up to 5 metres upon request.