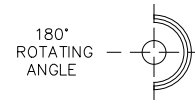
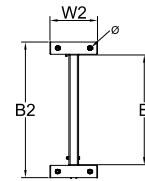
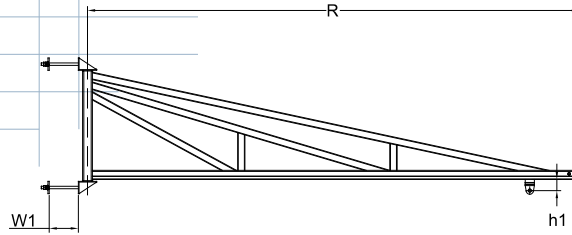
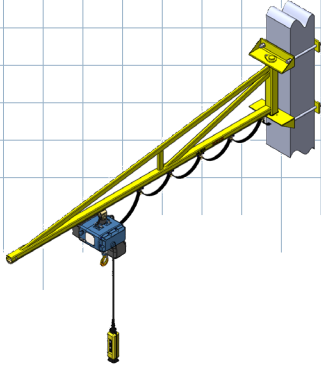


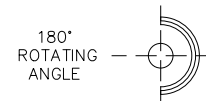
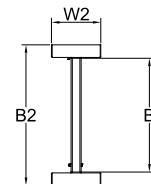
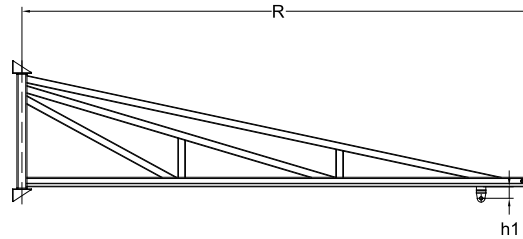
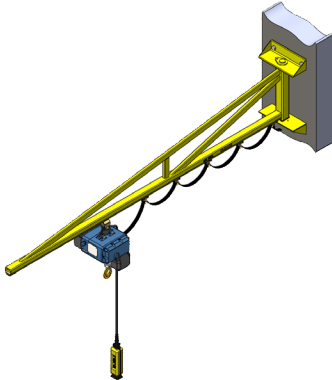
Clamp around Column Mounted Jib Cranes

NIKO column mounted jib cranes comprise of an arm and a pair of brackets that can be clamped around an existing building column/stanchion/pillar. The support structure must be tested by a structural engineer to ensure it is strong enough to sustain the weight of the jib when loaded. The arm is then located between the pair of clamping brackets and fixed using a pivot pin. The arm then rotates around the support column and enables lifting within a predetermined arc. Anti-slip measures must be taken to ensure that the jib crane cannot slip down the support column.



Wall Mounted Jib crane

NIKO wall mounted jib cranes comprise of an arm and a pair of brackets that can be bolted or welded to an existing wall or building column/stanchion/pillar. The support structure must be tested by a structural engineer to ensure it is strong enough to sustain the weight of the jib when loaded. The arm is then located between the pair of clamping brackets and fixed using a pivot pin. The arm then rotates around the support column and enables lifting within a predetermined arc.



SWL [Kg]	Column Mounted	Wall Mounted	Radius R [m]	NIKO Track Profile	Kingpin Height B [mm]	Trolley Depth h1 [mm]	Overall Height B2 [mm]	Bracket Width W2 [mm]	Max Column Width W1 [mm]	Bolt Size ϕ
80	24.J053.C	24.J053	3	24.000	500	65	720	380	500	M20
	24.J064.C	24.J064	4	24.000	600	65	820	380	500	M20
	24.J095.C	24.J095	5	24.000	900	65	1120	380	500	M20
	25.J096.C	25.J096	6	25.000	900	77	1120	380	500	M20
125	25.J053.C	25.J053	3	25.000	500	77	720	380	500	M20
	25.J064.C	25.J064	4	25.000	600	77	820	380	500	M20
	25.J095.C	25.J095	5	25.000	900	77	1120	380	500	M20
	25.J106.C	25.J106	6	25.000	1000	77	1220	380	500	M20
250	25.J063.C	25.J063	3	25.000	600	77	820	380	500	M20
	25.J084.C	25.J084	4	25.000	800	77	1020	380	500	M20
	26.J095.C	26.J095	5	26.000	900	94	1120	380	500	M20
	26.J106.C	26.J106	6	26.000	1000	94	1220	380	500	M20
500	26.J083.C	26.J083	3	26.000	800	94	1020	380	500	M20
	26.J094.C	26.J094	4	26.000	900	94	1120	380	500	M20
	27.J105.C	27.J105	5	27.000	1000	123	1220	380	500	M20
1000	27.J116.C	27.J116	6	27.000	1100	123	1320	380	500	M20
	27.J093.C	27.J093	3	27.000	900	123	1120	380	500	M20
	27.J104.C	27.J104	4	27.000	1000	123	1220	380	500	M20

Jib cranes are supplied painted.