

smak

Industrial Handling
Solutions

VACUUM LIFTERS
AND CRANES FOR
WINDOW AND
DOOR INDUSTRIES



smakmanutention.com



INGENUITY THAT POWERS YOUR BUSINESS

LOOKING FOR PRACTICAL WAYS TO BOOST YOUR PRODUCTIVITY?

Struggling with ergonomics and safety issues—as well as their associated costs?

Fed up and dealing with cargo and material degradation?

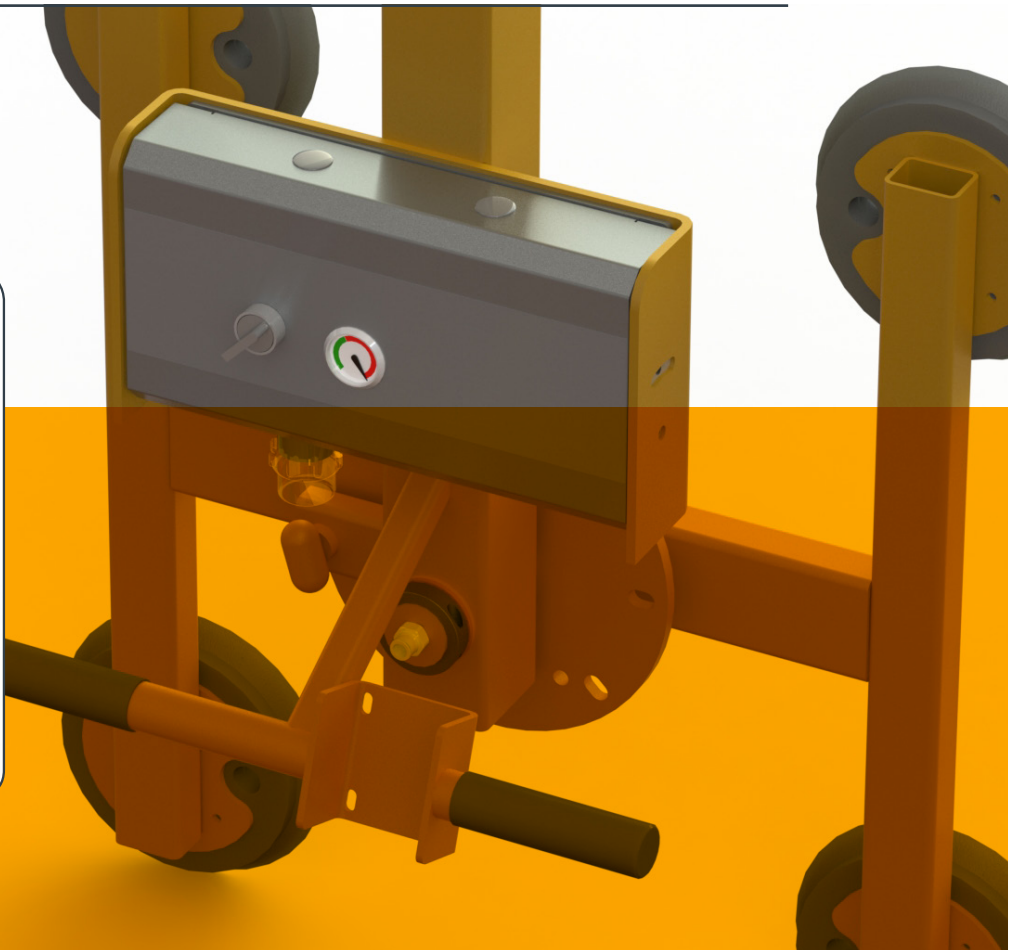
THEN, IT'S TIME YOU TAKE A LOOK AT SMAK.

Smak Industrial Handling Solutions is your go-to source for all your handling equipment needs and expertise. We offer practical, robust solutions that not only help your staff operate more efficiently but also ensure that your material and cargo are seamlessly and safely handled—whether you are in a product plant, warehouse, job site or any other environment where time and money means the difference between profits or breaking the bank.



BENEFITS

- ✓ Increased employee efficiency
- ✓ Improved staff safety
- ✓ Decreased labour costs
- ✓ Maintained cargo/material quality
- ✓ Optimal management of production lines or warehouse procedures
- ✓ Compliant with regulatory standards



2 VACUUM CUPS

VERTICAL VACUUM LIFTER W MANUAL ROTATION

FEATURES:

- Capacity: up to 500 lb
- 360 degrees rotation
- Venturi air operated pump

OPTIONS:

- Gooseneck
- Electric pump
- Manual tilt for 250lb and under
- Pneumatic tilt
- Recess cups for window frame



4 VACUUM CUPS

VERTICAL VACUUM LIFTER W MANUAL ROTATION

FEATURES:

- Capacity: up to 1000 lb
- 360 degrees rotation
- Venturi air operated pump

OPTIONS:

- Gooseneck
- Electric pump
- 12V electric pump
- Pneumatic tilt
- Recess cups for window frame



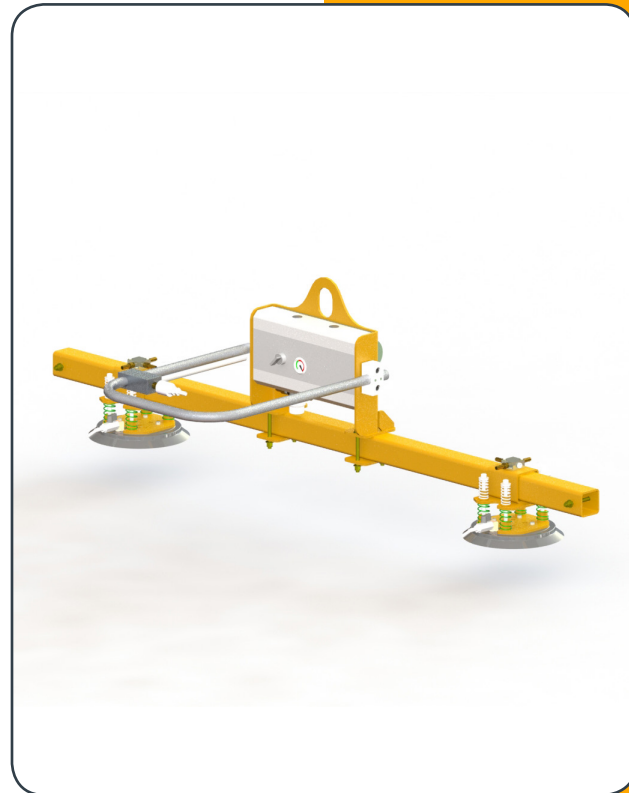
HORIZONTAL VACUUM LIFTER

FEATURES:

- Capacity: up to 2000 lb
- 2-4-6 and 8 cups
- Venturi air operated pump

OPTIONS:

- Electric pump
- 12V electric pump
- Manual tilt for 250lb and under
- Pneumatic tilt



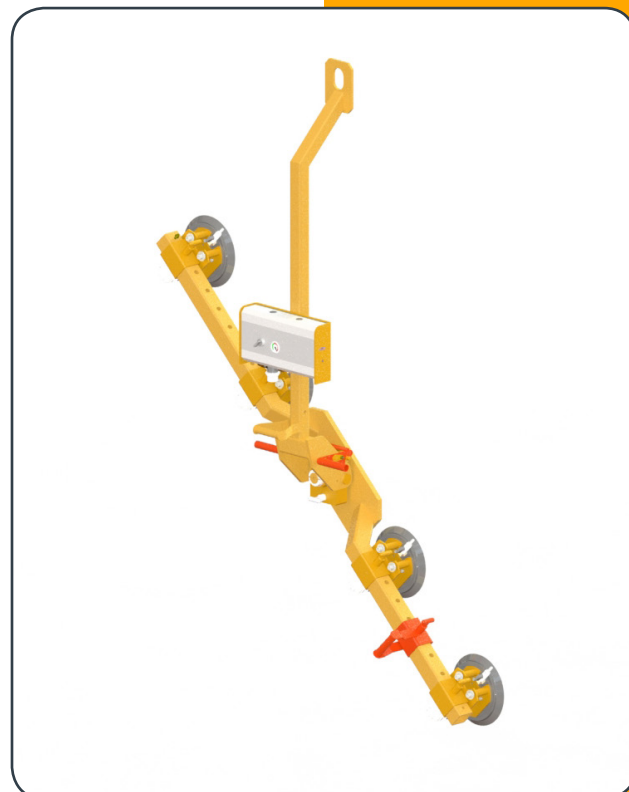
VERTICAL VACUUM LIFTER W MANUAL TILT

FEATURES:

- Capacity: up to 500 lb
- 2-4 and 6 cups
- Manual tilt
- Venturi air operated pump
- Manual rotation

OPTIONS:

- Electric pump
- 12V electric pump
- for 500lb and under
- Recess cups for window frame



VACUUM LIFTER W TILT & ROTATION

FEATURES:

- Integrated control
- Capacity: up to 1000 lb
- 4 vacuum cups and up
- Pneumatic tilt
- Manual rotation
- Air powered vacuum generator

OPTION:

- Pneumatic rotation



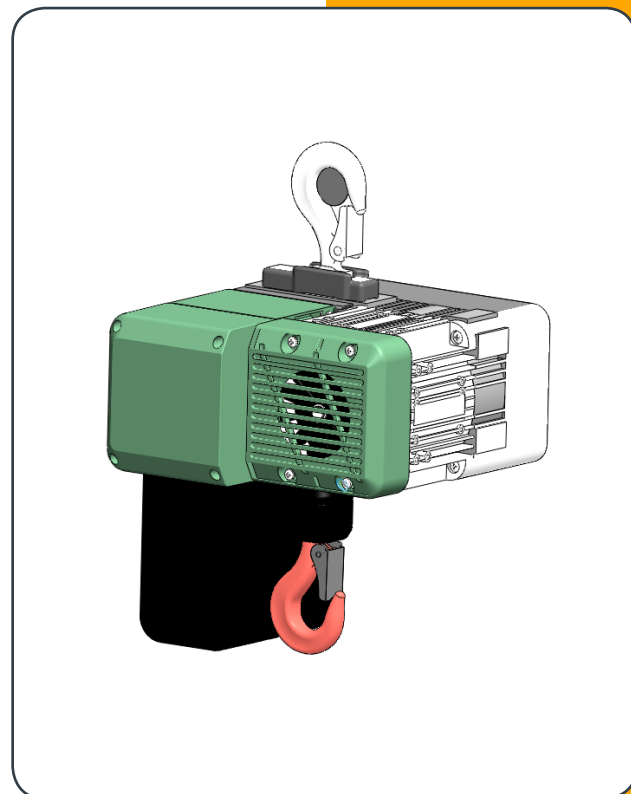
CHAIN HOIST

FEATURES:

- Capacity up to 2200lb
- 600V
- 2 speeds

OPTION:

- 115V / 220V
- Air powered
- 1 speed



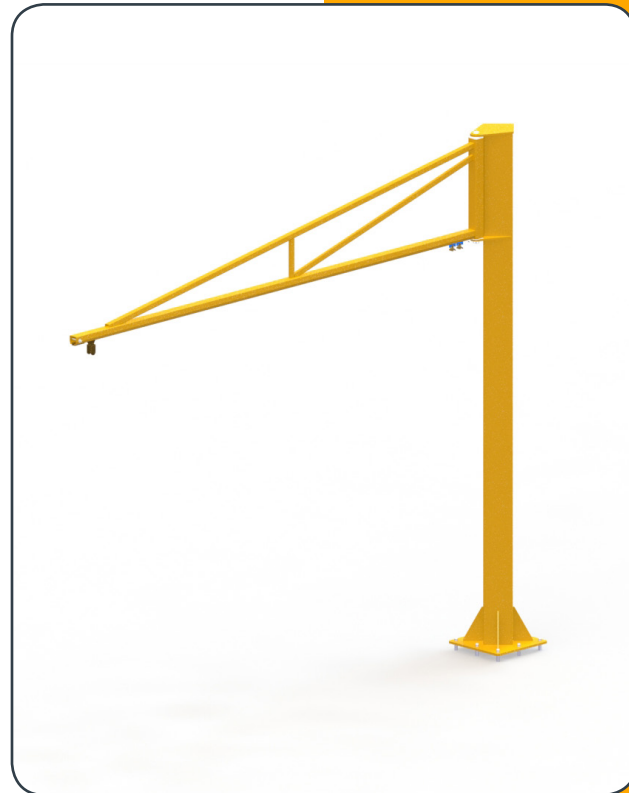
ERGONOMIC JIB CRANE

FEATURES:

- Capacity: up to 2200 lb
- Span up to 20'
- Height under bridge up to 20'
- 270 degrees rotation

OPTION:

- Wall Mounted
- Clamp around column mounted
- Telescopic
- Rotation adjustable endstop
- 360 degrees rotation
- Cantilever boom



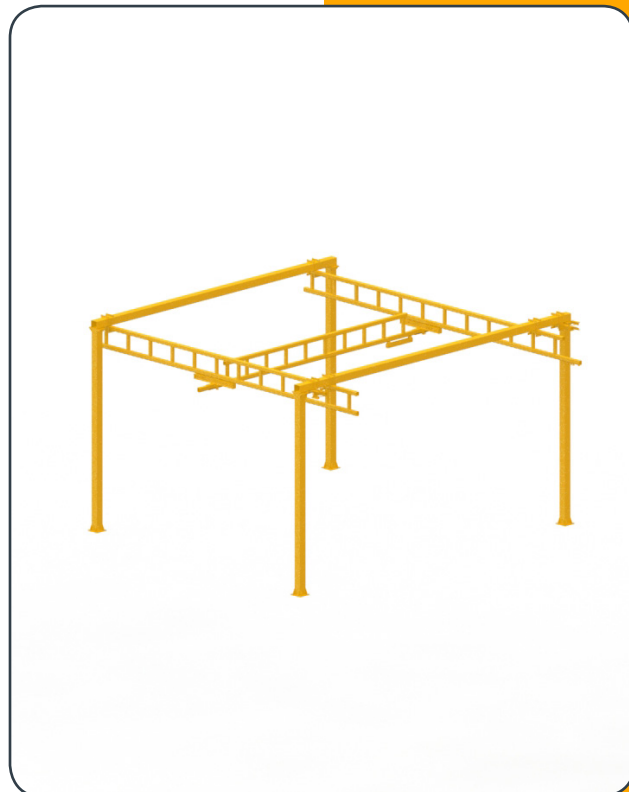
ERGONOMIC WORKSTATION CRANE

FEATURES:

- Capacity: up to 4400 lb
- Span up to 34'
- Runway length up to 200'
- Height under bridge up to 20'

OPTION:

- Suspended
- Multiple bridges
- Telescopic
- Motorized Bridge
- Motorized hoist trolley



615, rue du Nickel
Québec (Québec) G2N 0J9

T 418 841-2287

F 418 841-2283

info@smakdesign.ca

smak
Industrial Handling
Solutions

smakmanutention.com